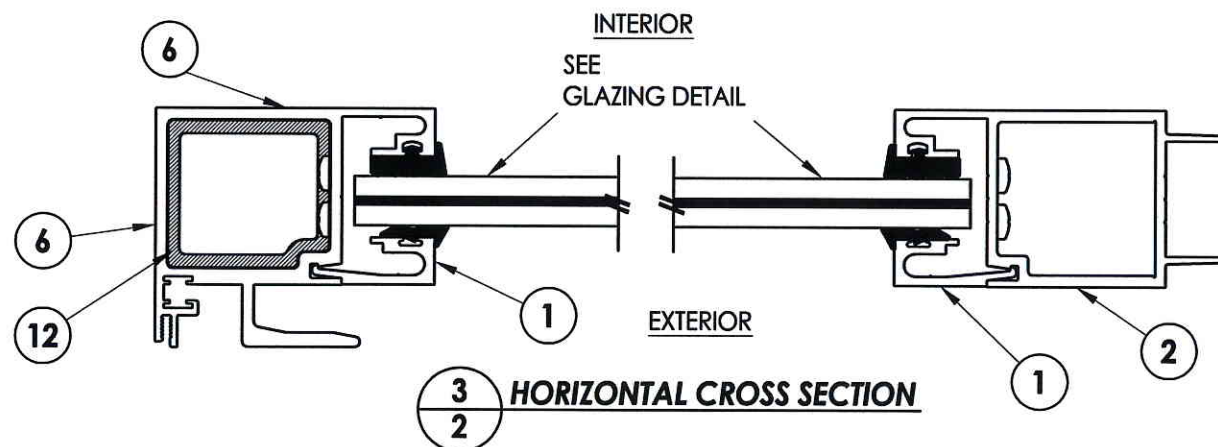
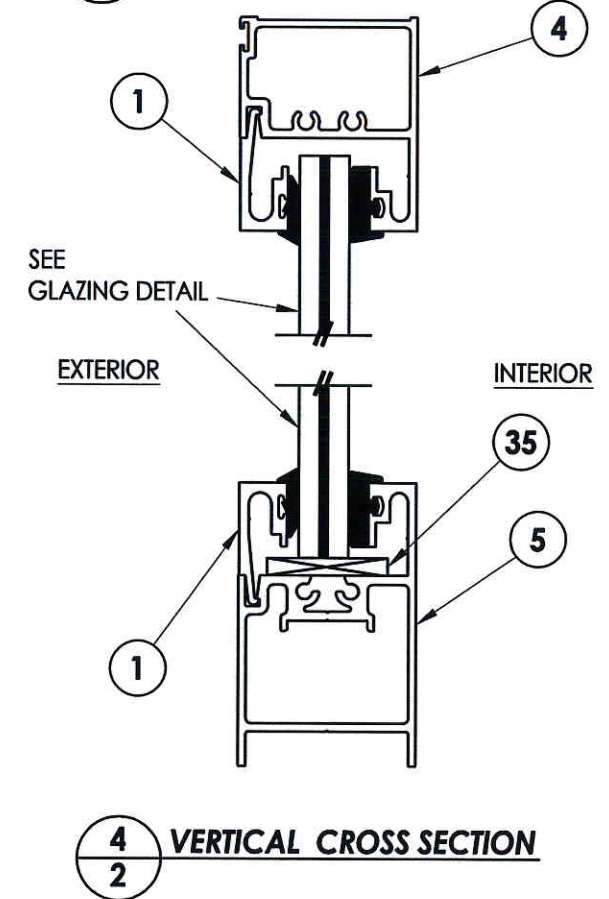
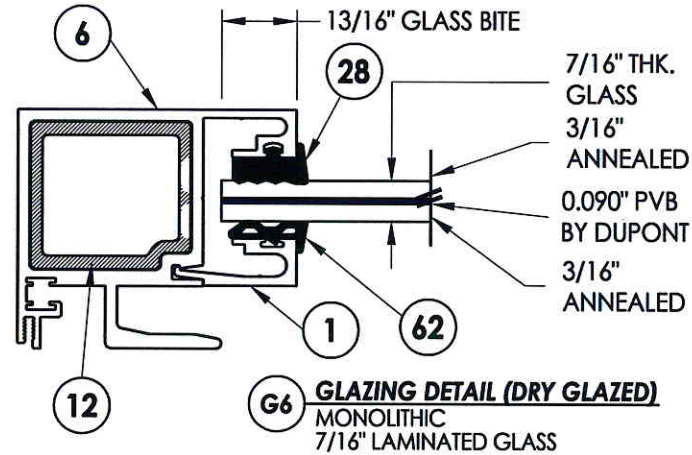
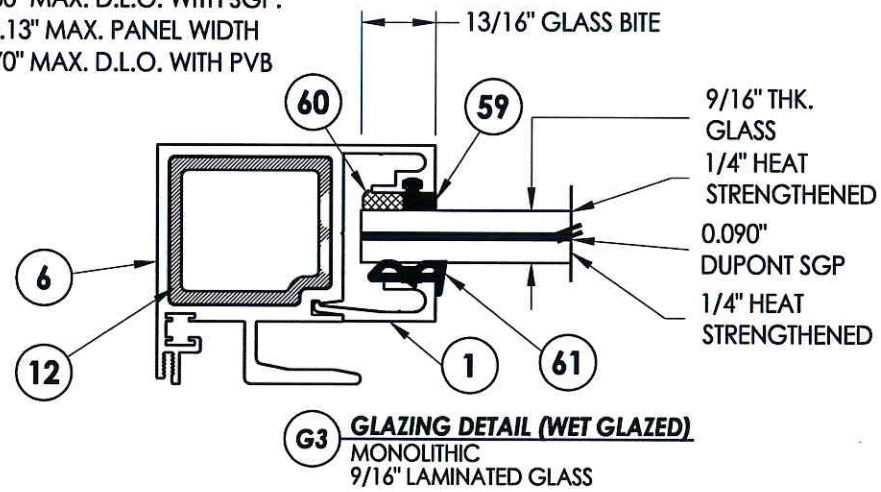
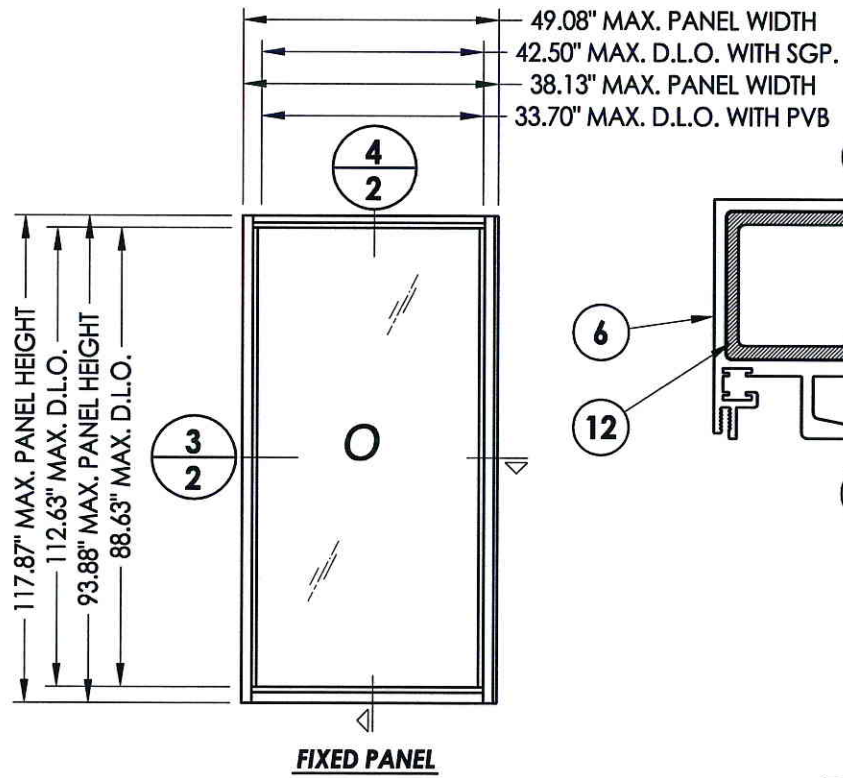
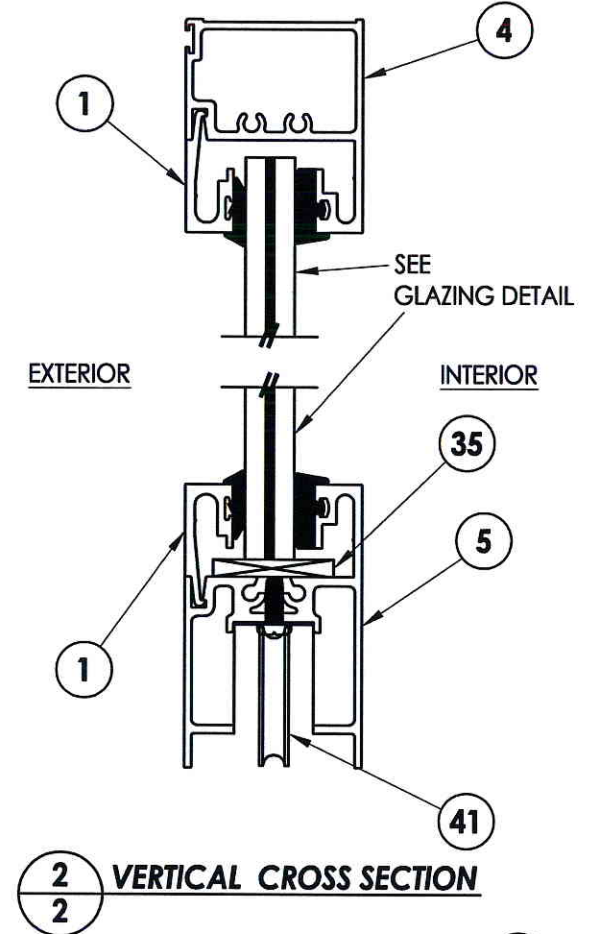
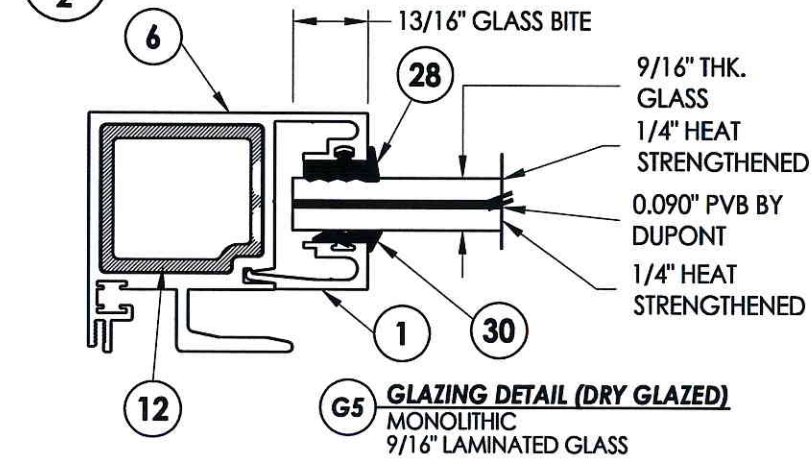
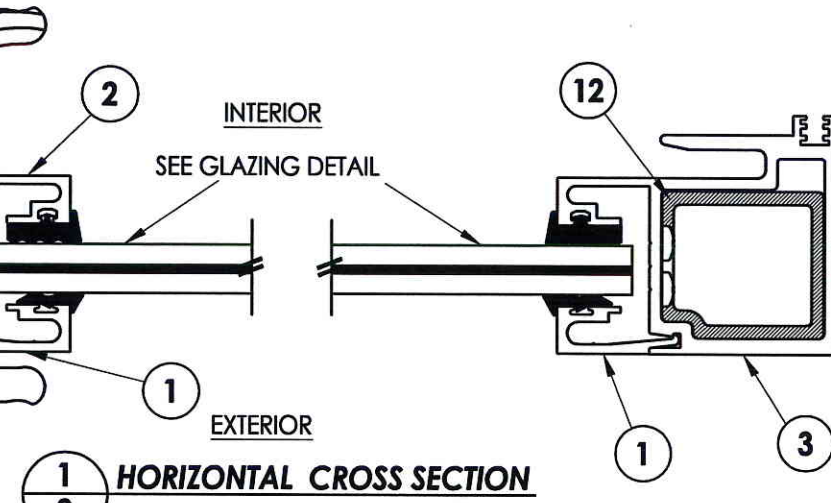
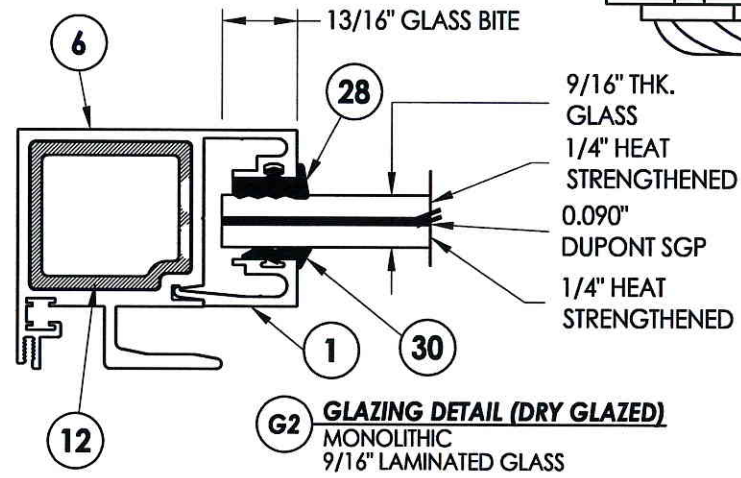
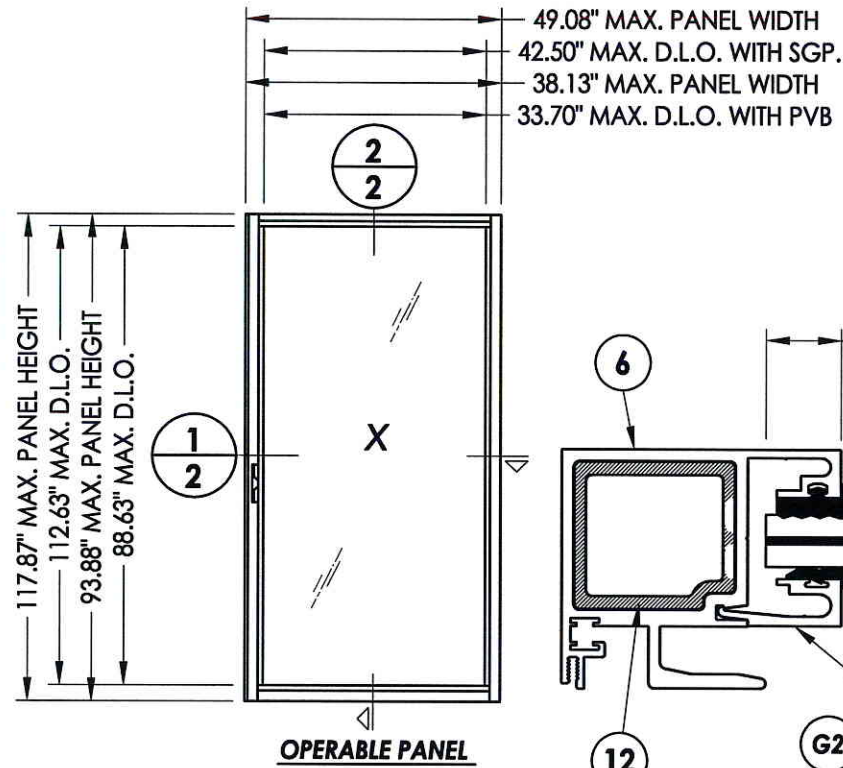


R:\A - Projects\Project - Eolders\Proj. 1501 - 1700\PE.1502\DWG.1503.1-2.dwg, 1-2



Documents Prepared By:

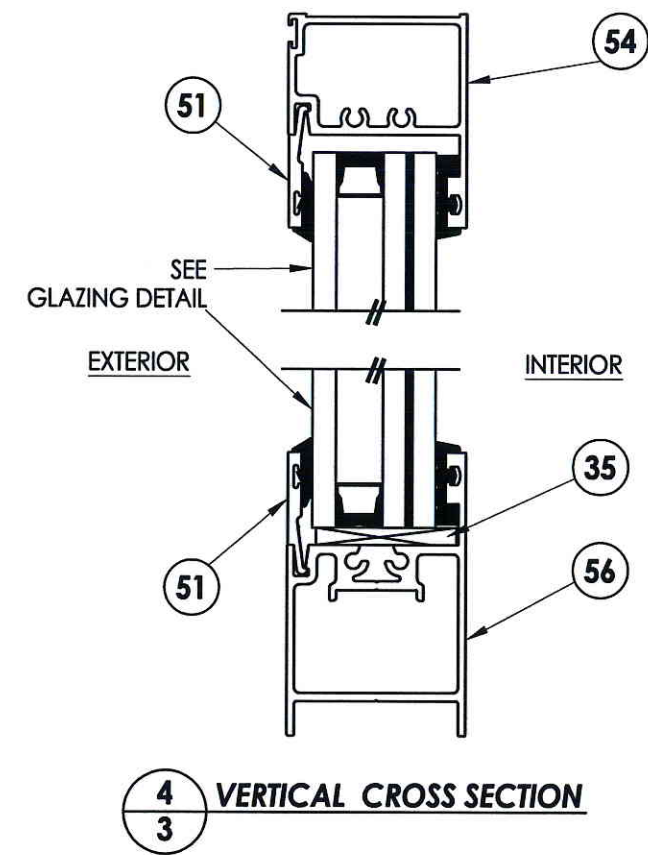
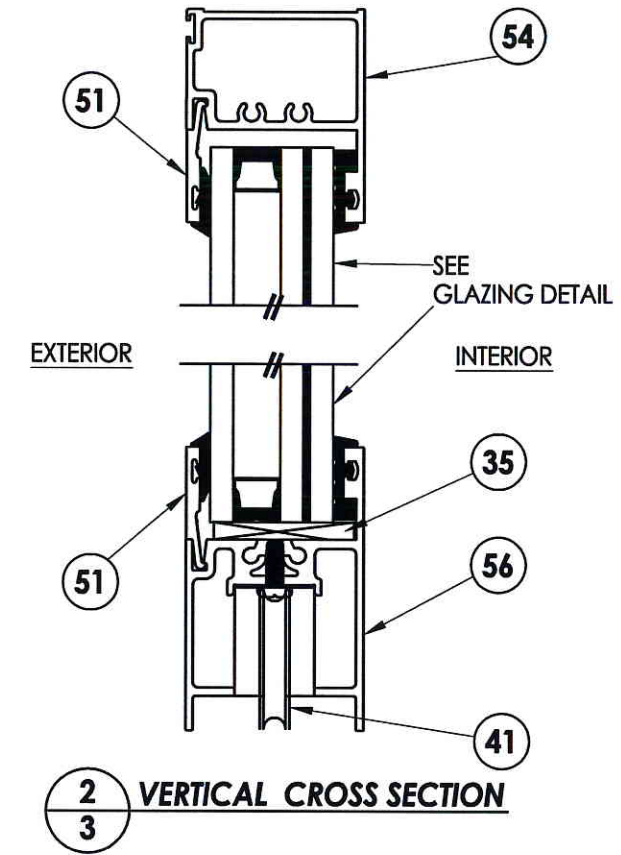
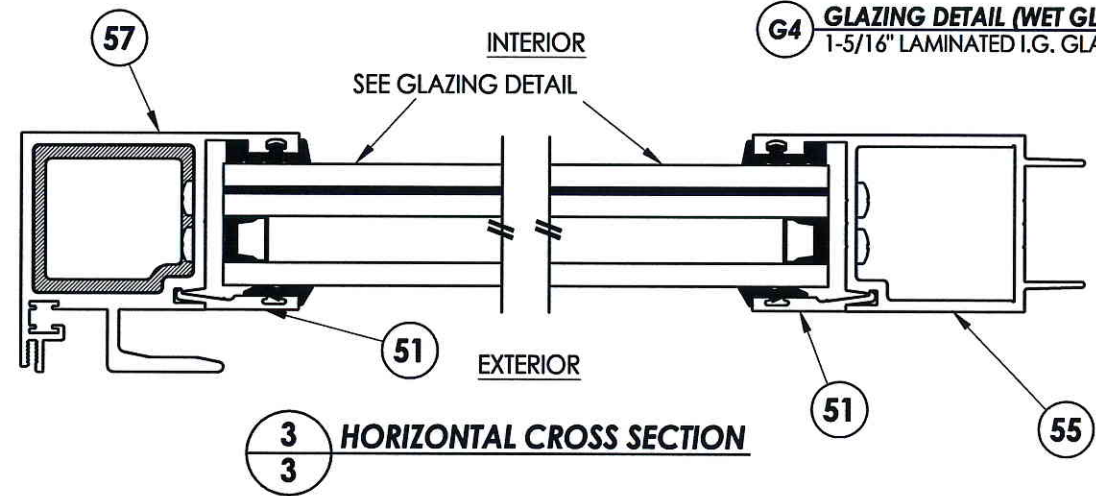
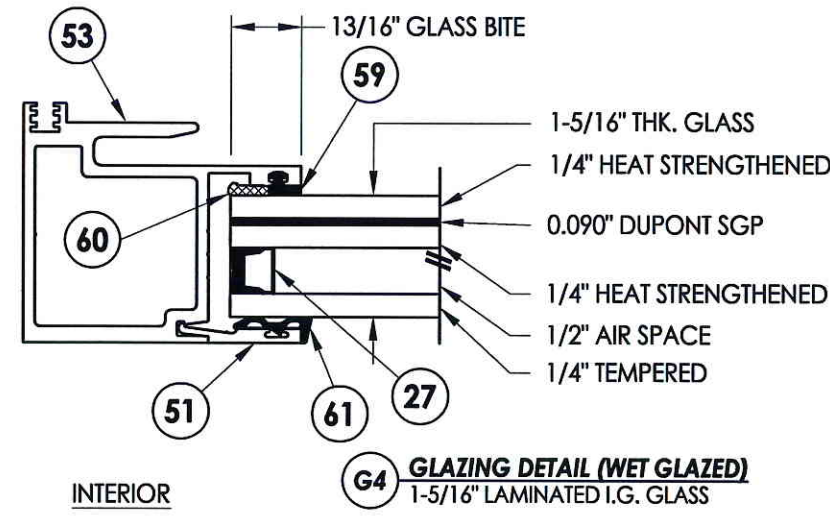
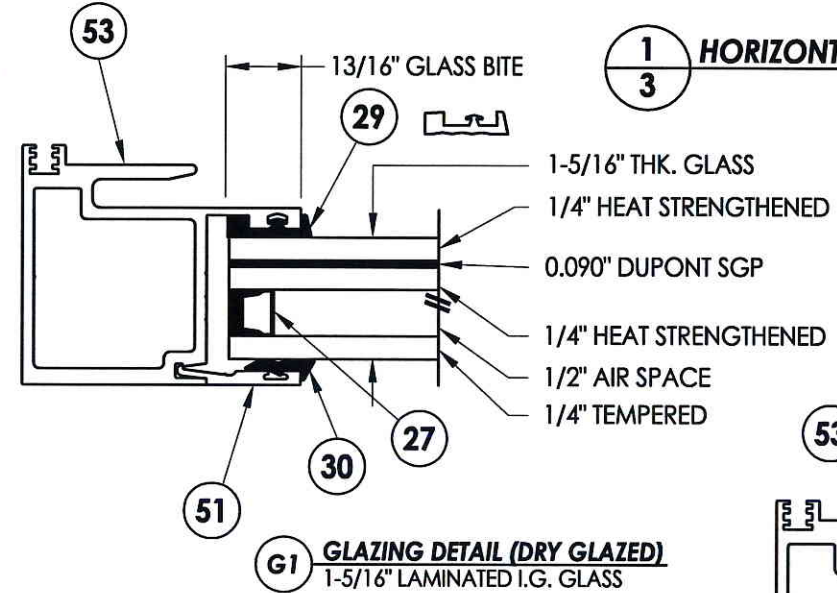
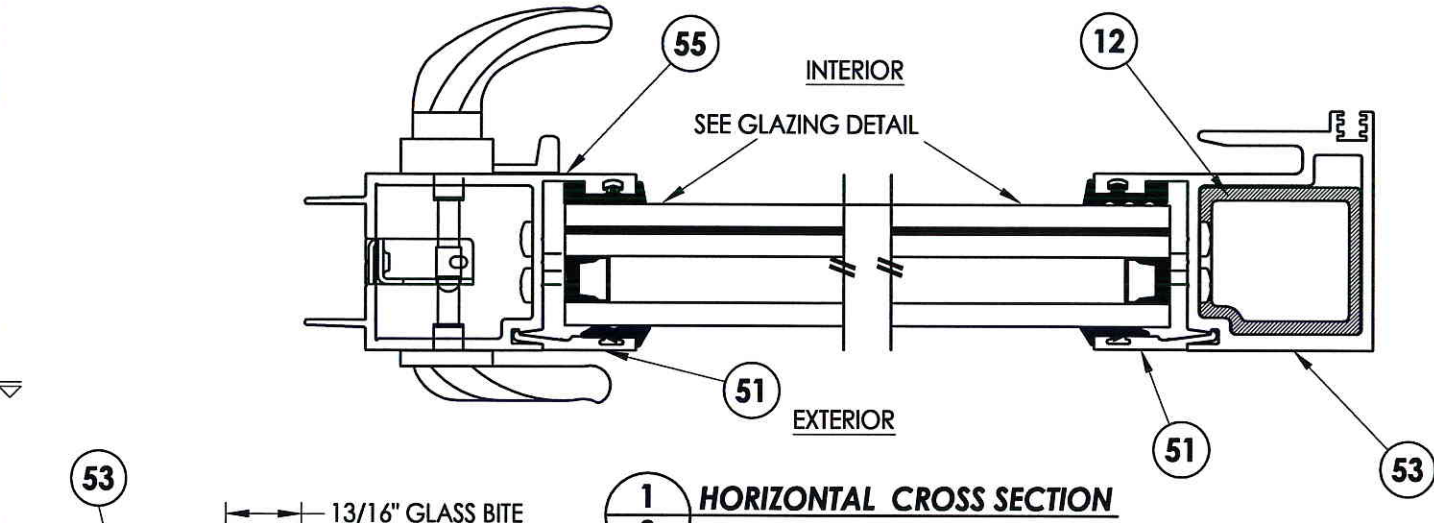
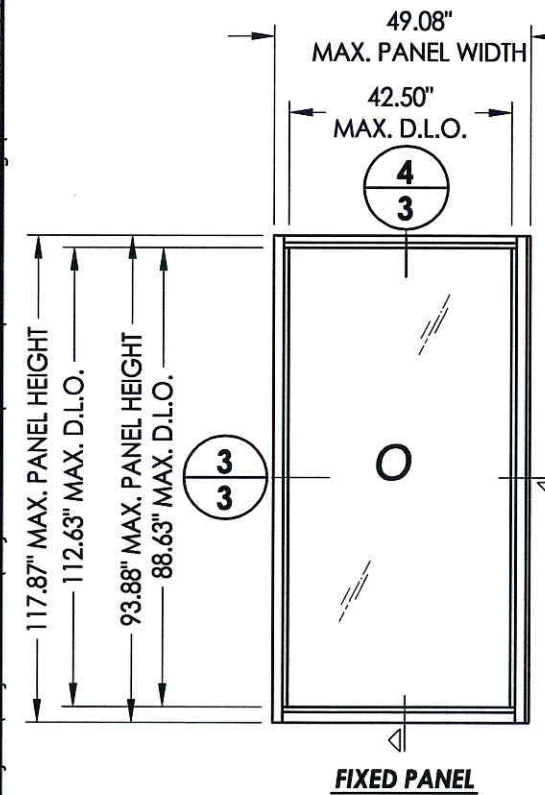
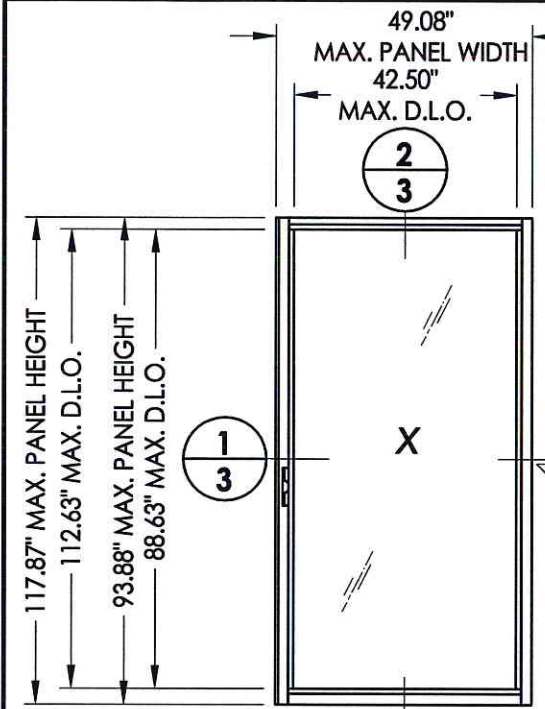
RW BUILDING CONSULTANTS, INC.
 P.O. Box 230 Vairico FL 33595
 Phone No.: 813.659.9197
 Florida Board of Professional Engineers
 Certificate Of Authorization No. 9813
 12-11 10.16.12
 Lyndon F. Schmidt, P.E. No. 43409

PRODUCT: SLIDING GLASS DOOR

PART OR ASSEMBLY: DOOR PANEL DETAILS

NO.	DATE	BY	REVISIONS

DATE: 8/24/12
 SCALE: N.T.S.
 DWG. BY: JK
 CHK. BY: LFS
 DRAWING NO.: FL-15903.1
 SHEET 2 OF 13



Documents Prepared By: *RW* BUILDING CONSULTANTS, INC.
P.O. Box 230 Vairico FL. 33595
Phone No.: 813.659.9197
Florida Board of Professional Engineers
Certificate of Authorization No. 9813
LFS 10.16.12
Lyndon F. Schmidt, P.E. No. 43409

PRODUCT: SLIDING GLASS DOOR

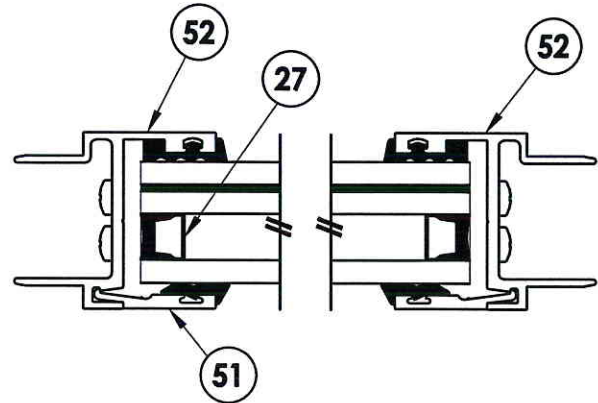
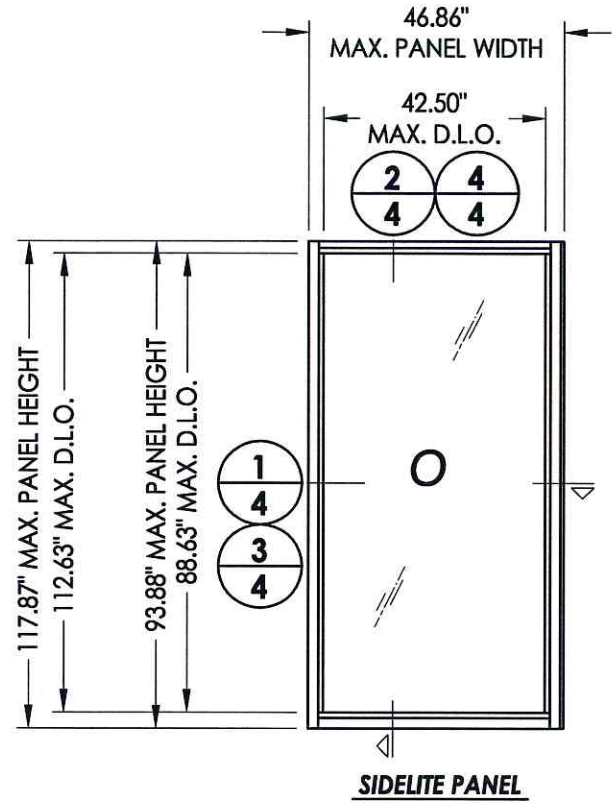
PART OR ASSEMBLY: DOOR PANEL DETAILS

NO.	DATE	BY	REVISIONS

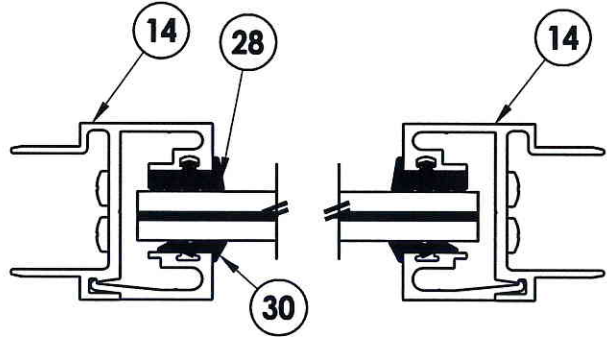
DATE: 8/24/12
SCALE: N.T.S.
DWG. BY: JK
CHK. BY: LFS
DRAWING NO.: FL-15903.1
SHEET 3 OF 13

© 2012 R.W. BUILDING CONSULTANTS INC.

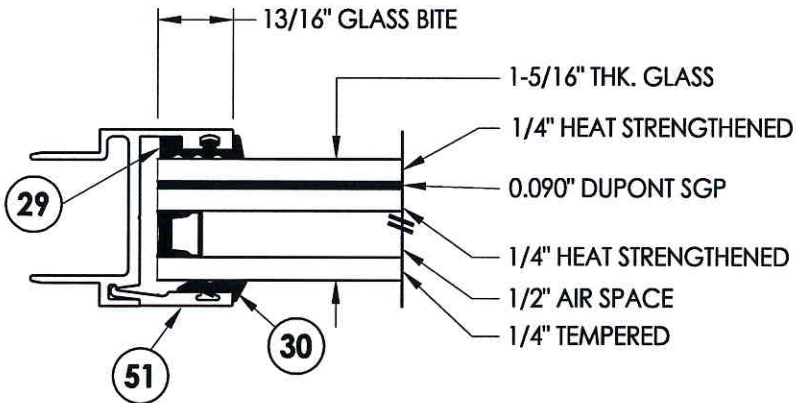
R:\A - Projects\Project: Encliders\Proj. 1601 - 1700\PE 1692\D_R\MBEC Drawings\EL-15903.1-2.dwg_1-4



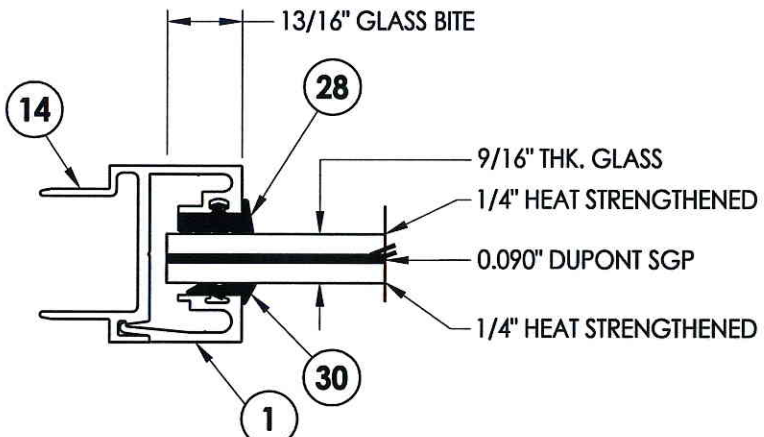
1
4 **HORIZONTAL CROSS SECTION**



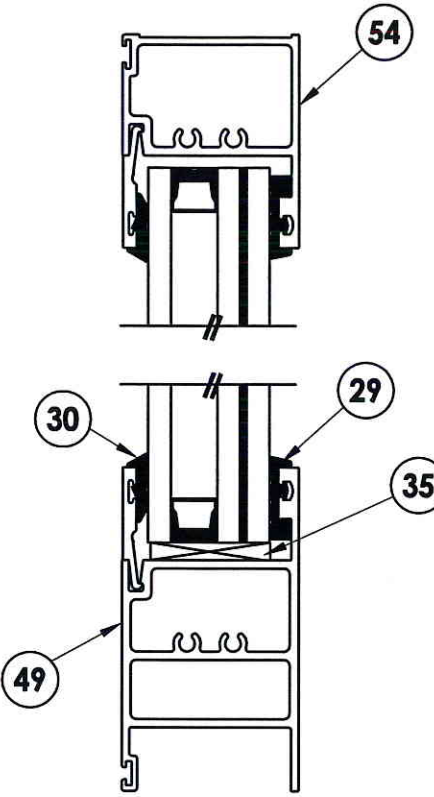
3
4 **HORIZONTAL CROSS SECTION**



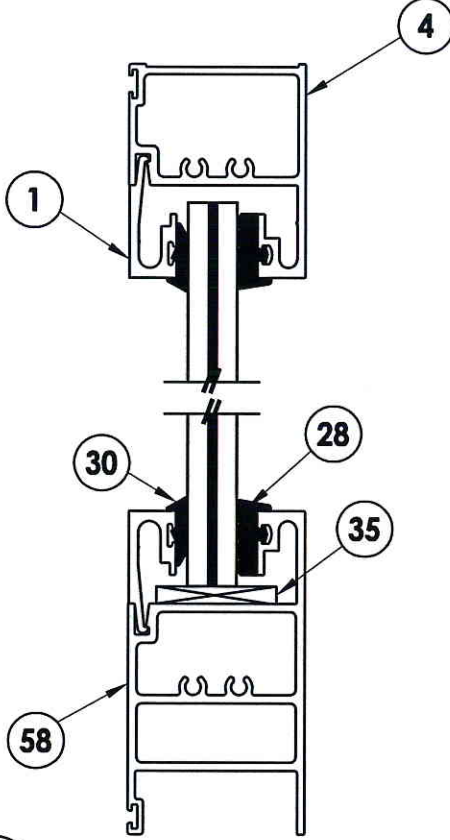
G1 **GLAZING DETAIL**
1-5/16" LAMINATED I.G. GLASS



G2 **GLAZING DETAIL**
MONOLITHIC
9/16" LAMINATED GLASS



2
4 **VERTICAL CROSS SECTION**



4
4 **VERTICAL CROSS SECTION**

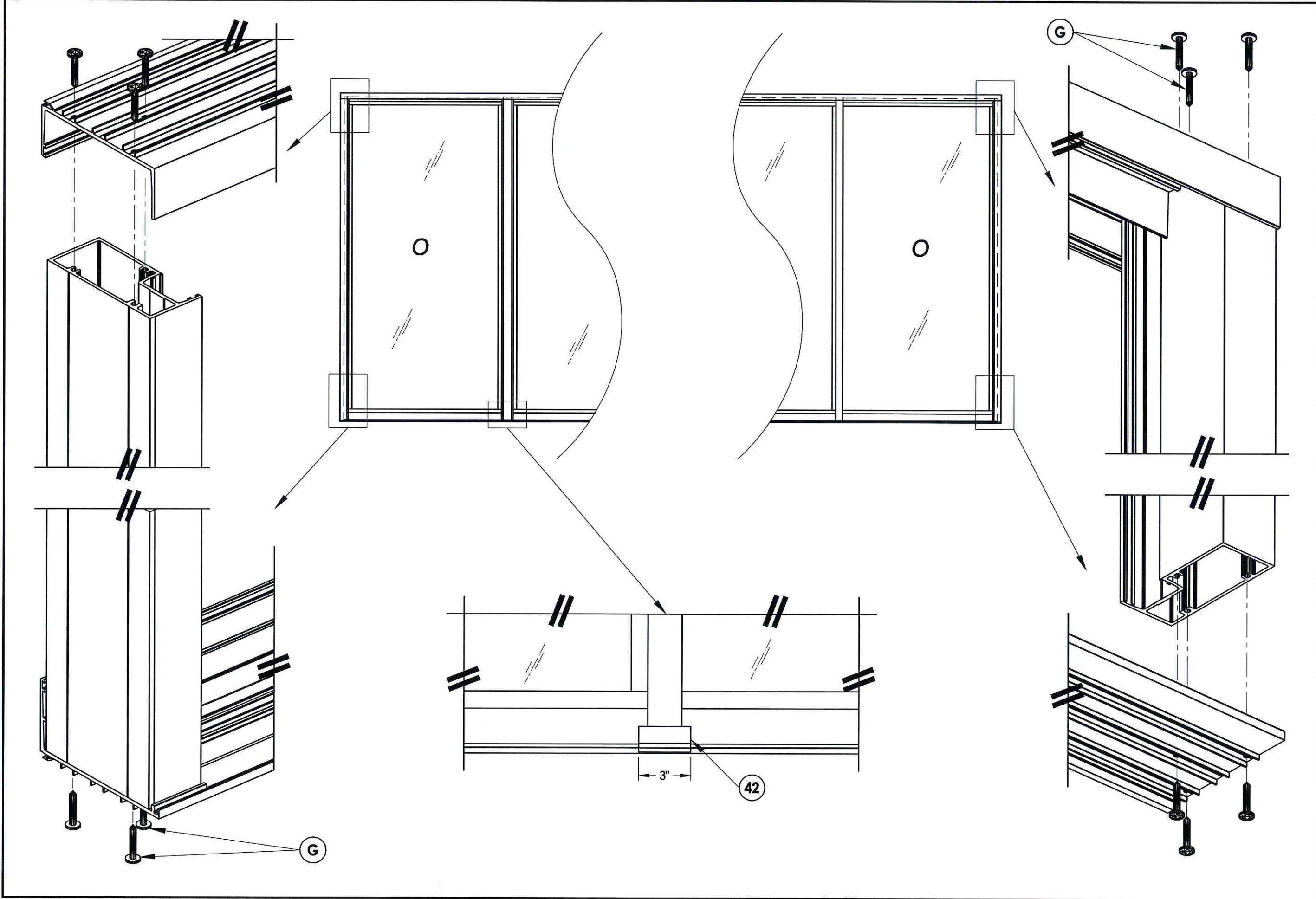
Documents Prepared By:

RW BUILDING CONSULTANTS, INC.
P.O. Box 230 Vairco FL 33595
Phone No.: 813.659.9197
Florida Board of Professional Engineers
Certificate Of Authorization No. 9813
17-58 10-16-12
Lyndon F. Schmidt, P.E. No. 43409

PRODUCT: SLIDING GLASS DOOR
PART OR ASSEMBLY: SIDELITE PANEL DETAILS

NO.	DATE	BY	REVISIONS

DATE: 8/24/12
SCALE: N.T.S.
DWG. BY: JK
CHK. BY: LFS
DRAWING NO.: FL-15903.1
SHEET 4 OF 13



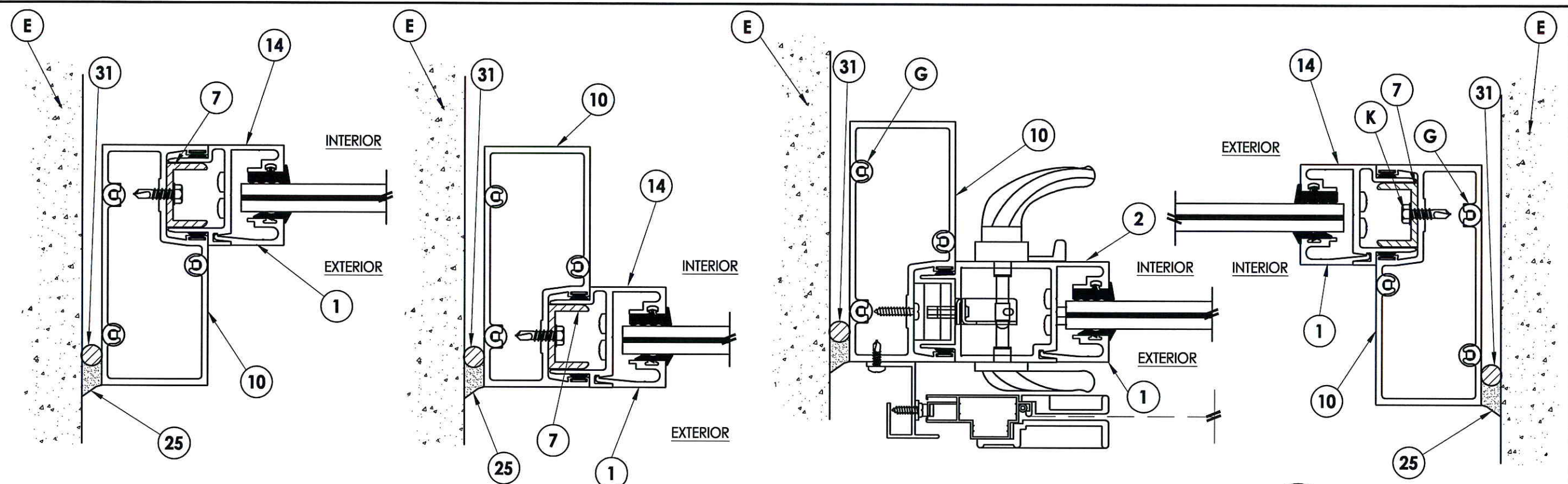
DATE: 8/24/12
 SCALE: N.T.S.
 DWG. BY: JK
 CHK. BY: LFS
 DRAWING NO.: FL-15903.1
 SHEET 5 OF 13

NO.	DATE	REVISIONS	BY

PRODUCT: SLIDING GLASS DOOR
 PART OR ASSEMBLY: CORNER DETAILS

Documents Prepared By:
RW BUILDING CONSULTANTS, INC.
 P.O. Box 230 Vairico FL. 33595
 Phone No.: 813.659.9197
 Florida Board of Professional Engineers
 Certificate Of Authorization No. 98813
 Lyndon F. Schmidt, P.E. No. 43409
 8/27/12

P:\A - Projects\Project - Eolders\Proj.1601 - 1700\PE.1692.D. RWBC Drawings\EL-15903.1-2.dwg, 1-6

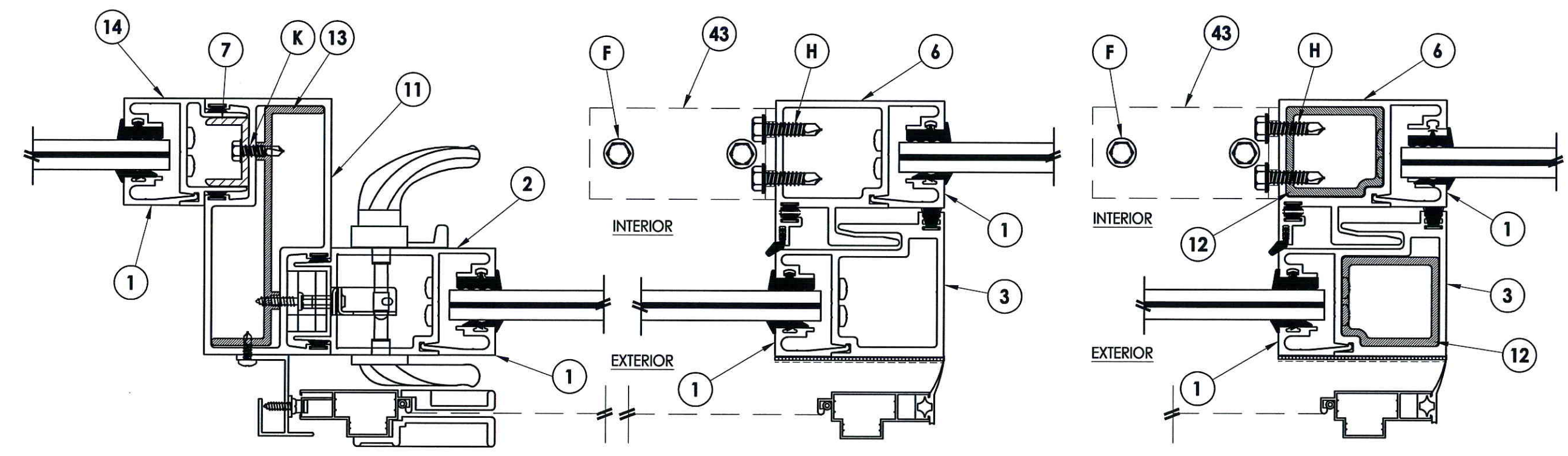


1 **HORIZONTAL CROSS SECTION**
6 Panel at interior track fixed

2 **HORIZONTAL CROSS SECTION**
6 Panel at exterior track fixed

3 **HORIZONTAL CROSS SECTION**
6

7 **HORIZONTAL CROSS SECTION**
6



4 **HORIZONTAL CROSS SECTION**
6 OXO Adaptor requires OXO Reinforcement

5 **HORIZONTAL CROSS SECTION**
6 Without Reinforcement

6 **HORIZONTAL CROSS SECTION**
6 With Reinforcement

Documents Prepared By:
RW BUILDING CONSULTANTS, INC.
 P.O. Box 230 Vairco FL 33595
 Phone No.: 813.659.9197
 Florida Board of Professional Engineers
 Certificate Of Authorization No. 9813
LF 10-16-12
 Lyndon F. Schmidt, P.E. No. 43409

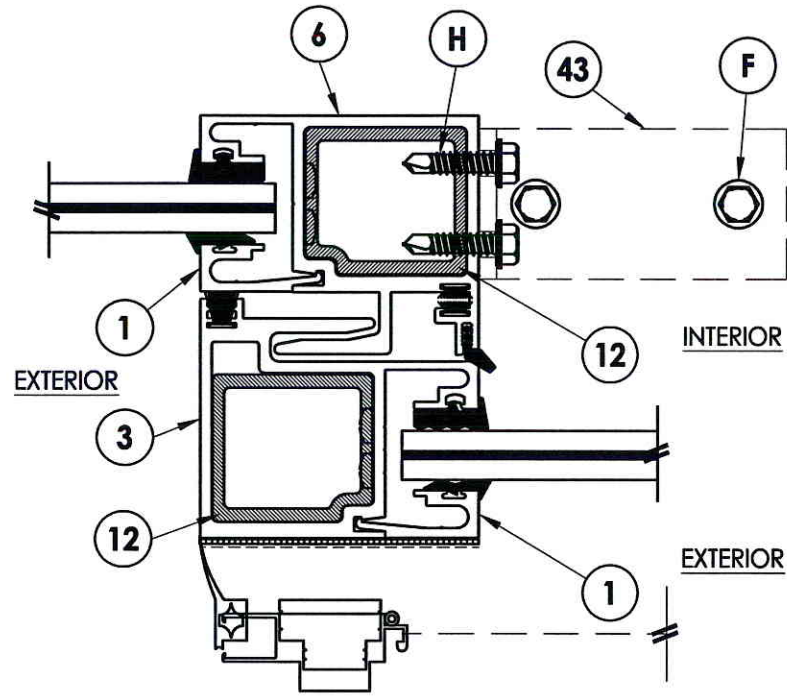
PRODUCT: SLIDING GLASS DOOR
 PART OR ASSEMBLY: HORIZONTAL CROSS SECTIONS

NO.	DATE	BY	REVISIONS

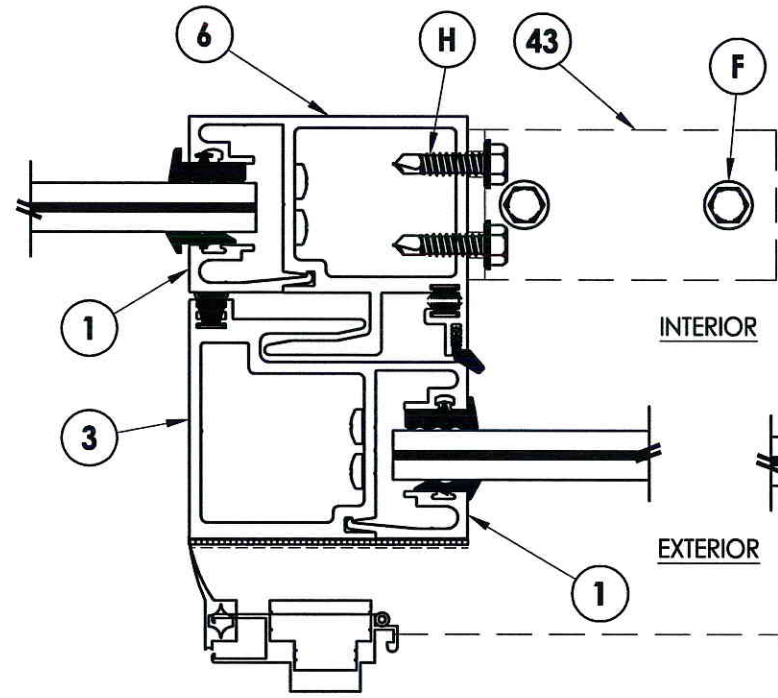
DATE: 8/24/12
 SCALE: N.T.S.
 DWG. BY: JK
 CHK. BY: LFS
 DRAWING NO.: FL-15903.1
 SHEET 6 OF 13

© 2012 R.W. BUILDING CONSULTANTS INC.

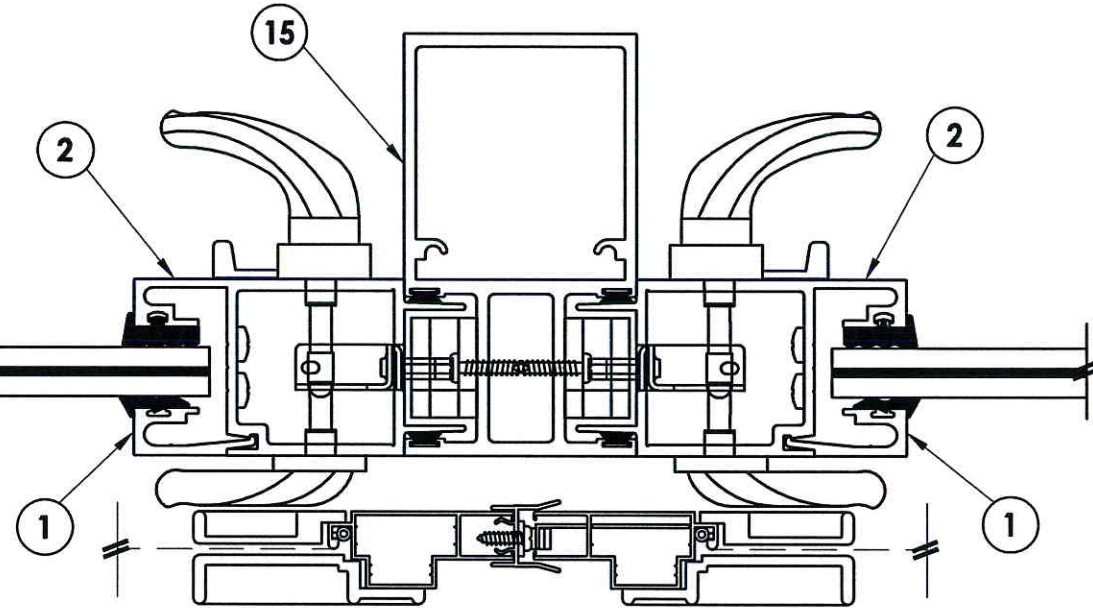
R:\A - Projects\Project Folders\Proj 1601 - 1700\PE 1692.D - RWBC Drawings\EL-15903.1.2.dwg, 1-7



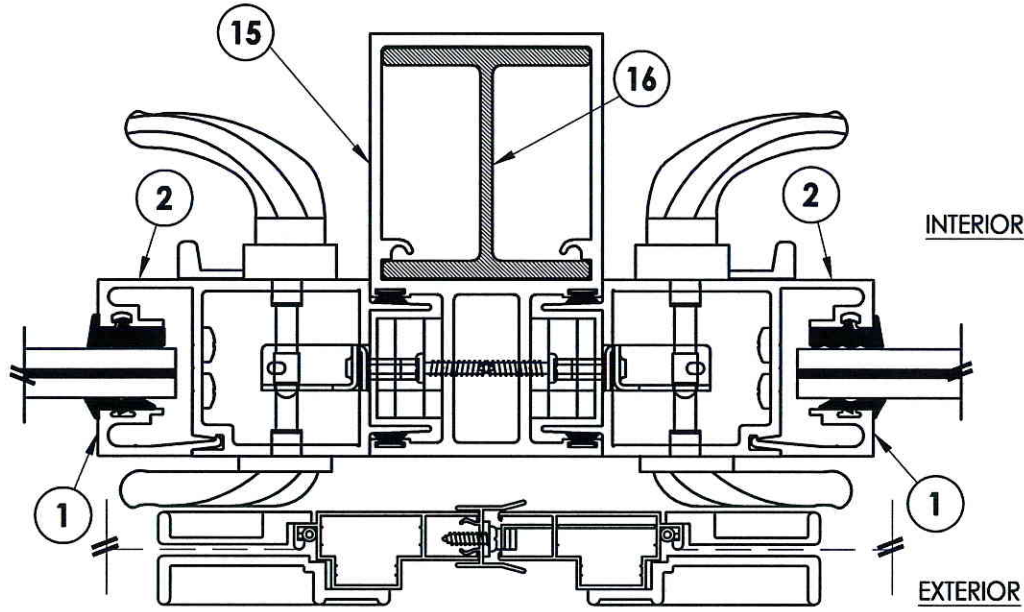
1 HORIZONTAL CROSS SECTION
7 With Reinforcement



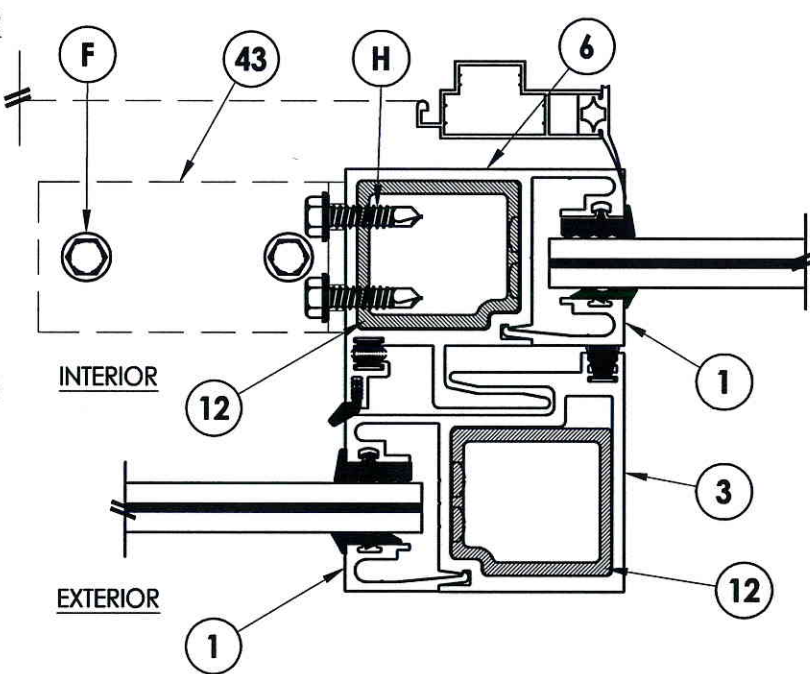
2 HORIZONTAL CROSS SECTION
7 Without Reinforcement



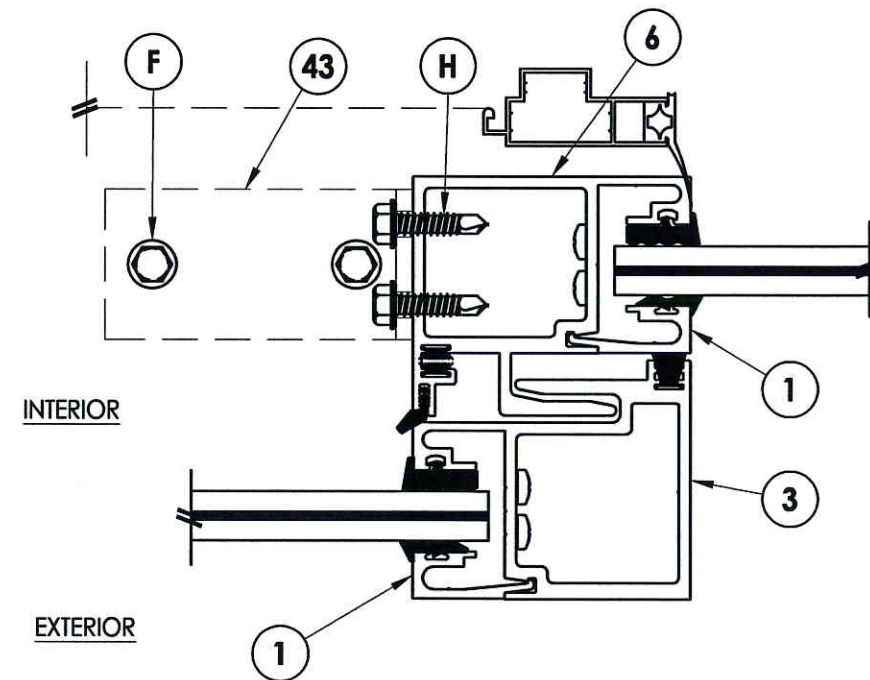
4 HORIZONTAL CROSS SECTION
7 Without Reinforcement



3 HORIZONTAL CROSS SECTION
7 With Reinforcement



5 HORIZONTAL CROSS SECTION
7 With Reinforcement
With interior screen



6 HORIZONTAL CROSS SECTION
7 Without Reinforcement
With interior screen

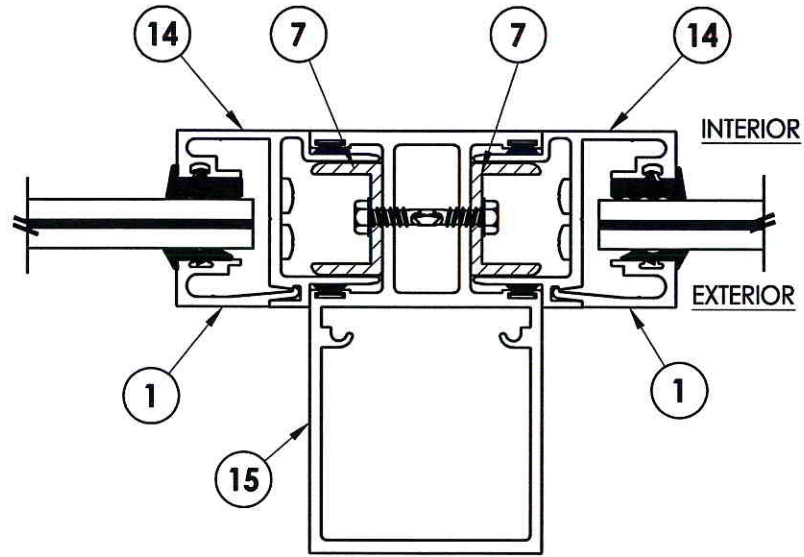
Documents Prepared By:
RW
BUILDING CONSULTANTS, INC.
P.O. Box 230 Valrico FL, 33595
Phone No.: 813.659.9197
Florida Board of Professional Engineers
Certificate of Authorization No. 9813
LFS 10-16-12
Lyndon F. Schmidt, P.E. No. 43409

PRODUCT: SLIDING GLASS DOOR
PART OR ASSEMBLY: HORIZONTAL CROSS SECTIONS

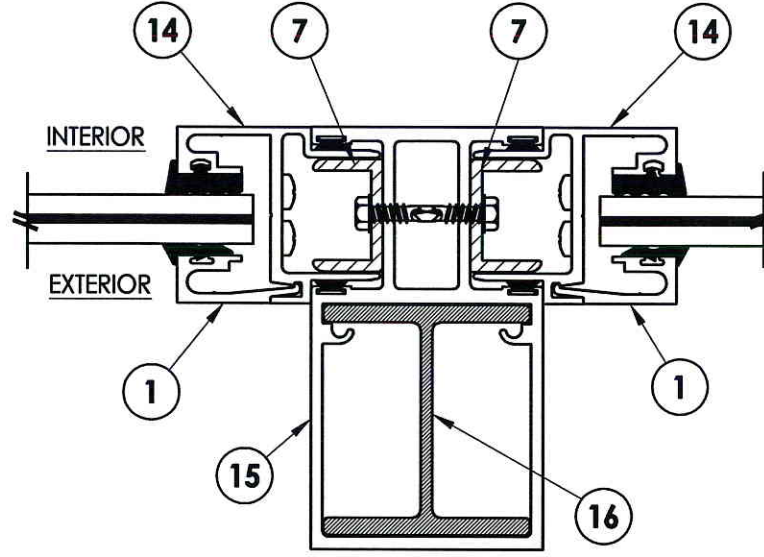
NO.	DATE	BY

DATE: 8/24/12
SCALE: N.T.S.
DWG. BY: JK
CHK. BY: LFS
DRAWING NO.: FL-15903.1
SHEET 7 OF 13

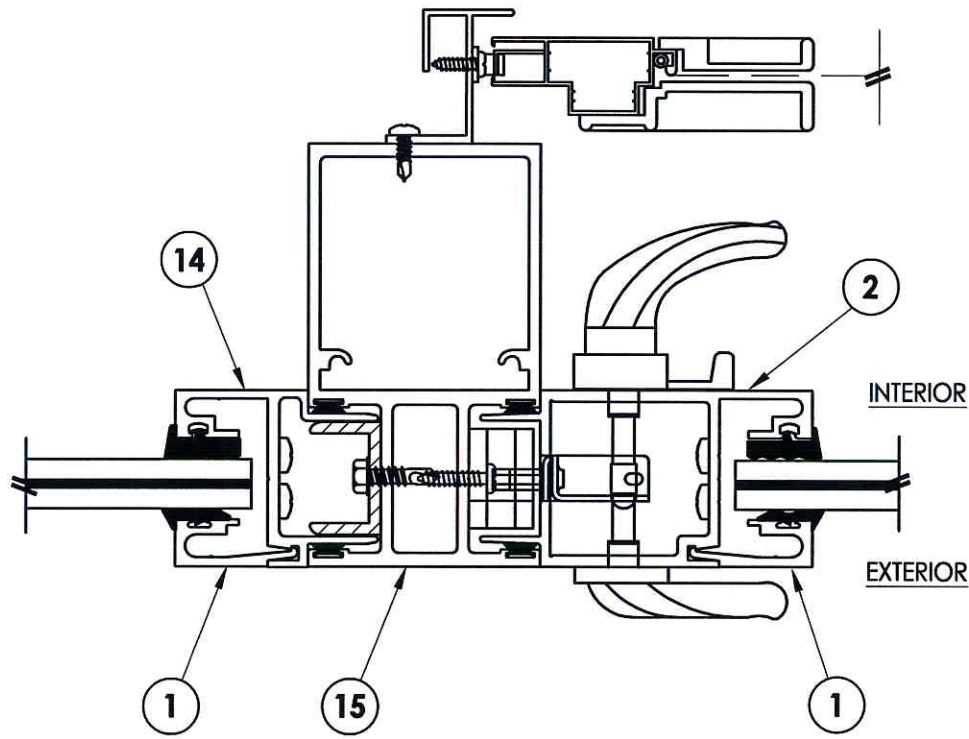
R:\A - Projects\Project Enclaves\Proj.1601 - 1700\PE-1692\D. RMRC Drawings\FL-15903.1-2.dwg, 1-8



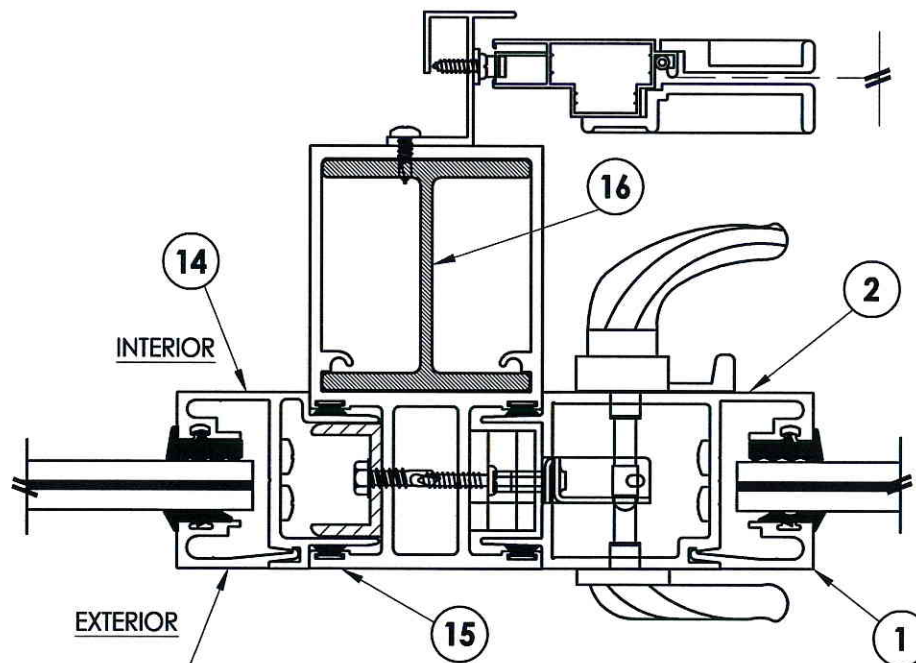
1 HORIZONTAL CROSS SECTION
8 Without Reinforcement
Panel at interior track fixed



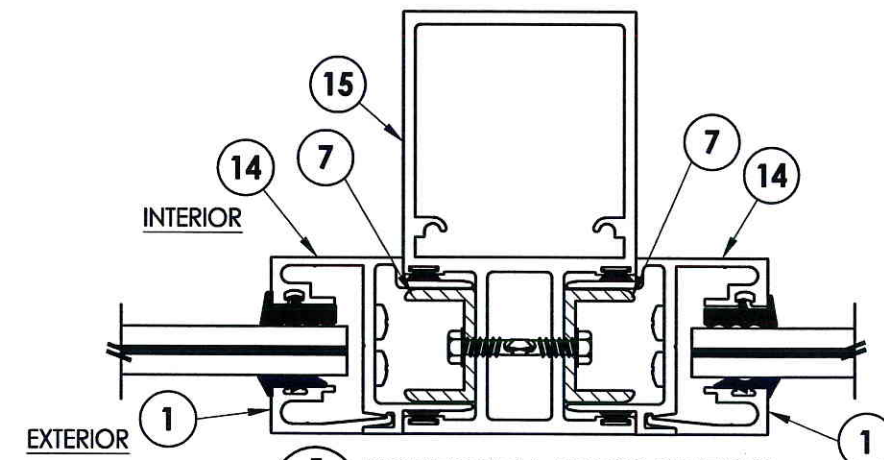
2 HORIZONTAL CROSS SECTION
8 With Reinforcement
Panel at interior track fixed



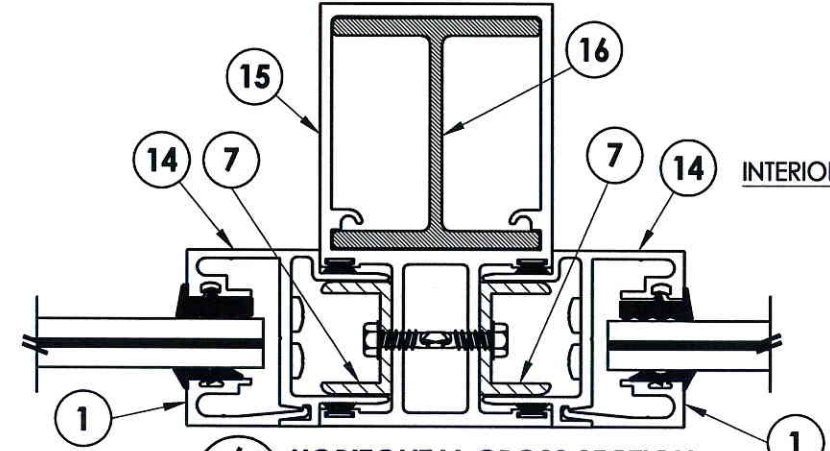
3 HORIZONTAL CROSS SECTION
8 Without Reinforcement
Panel at exterior track fixed



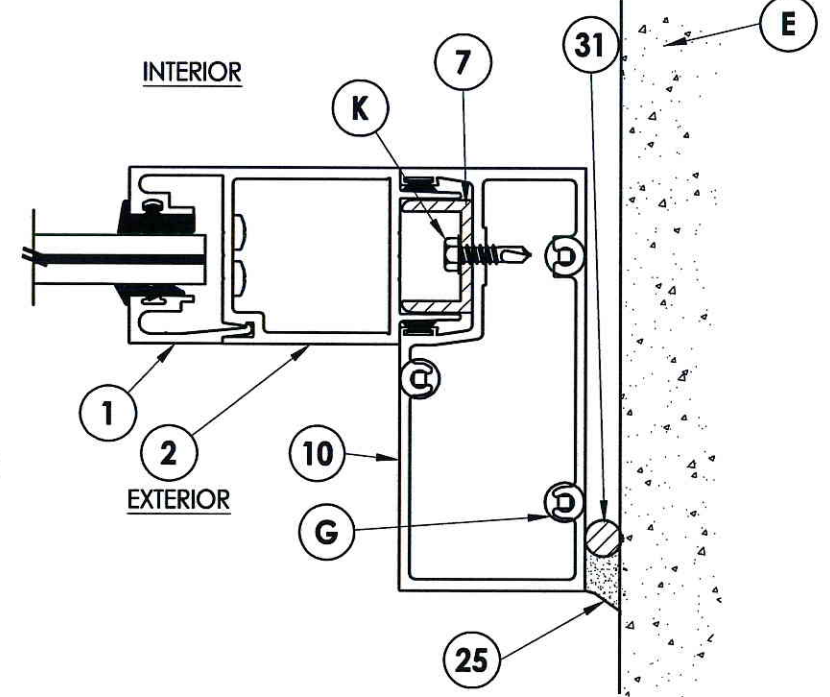
4 HORIZONTAL CROSS SECTION
8 With Reinforcement
Panel at exterior track fixed



5 HORIZONTAL CROSS SECTION
8 Without Reinforcement
Panel at exterior track fixed



6 HORIZONTAL CROSS SECTION
8 With Reinforcement
Panel at exterior track fixed



7 HORIZONTAL CROSS SECTION
8 Panel at interior track fixed

Documents Prepared By:

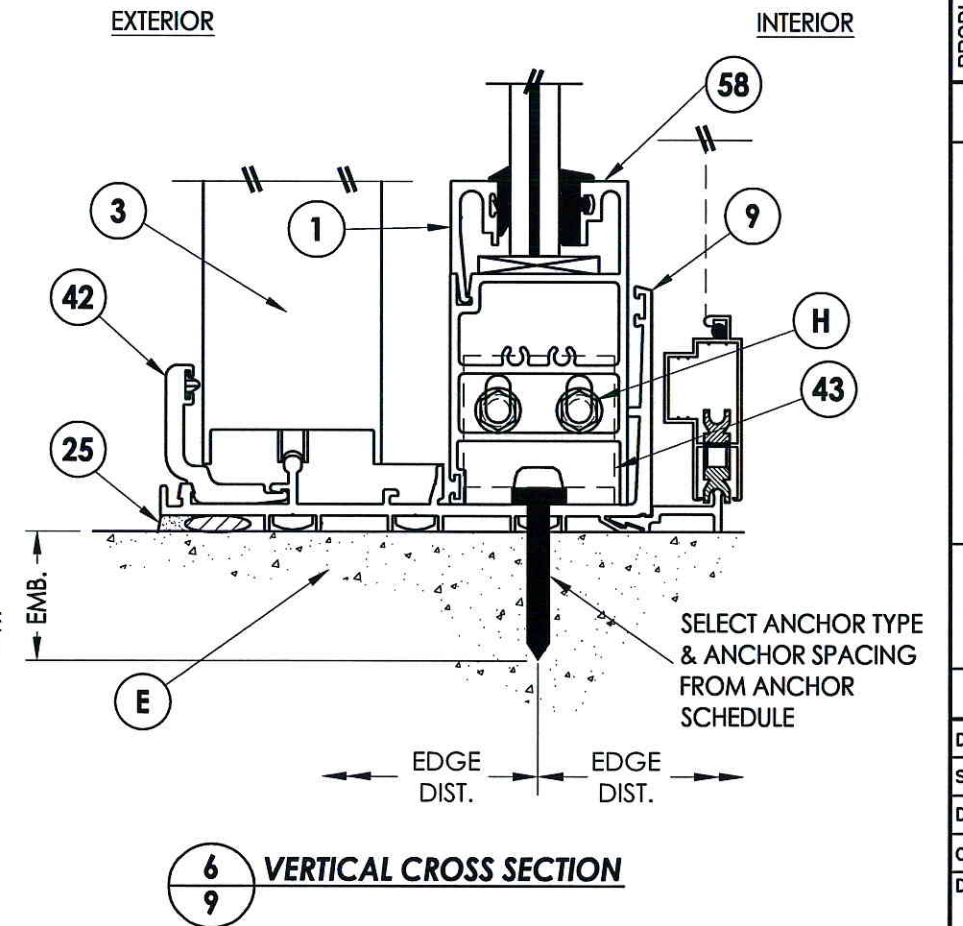
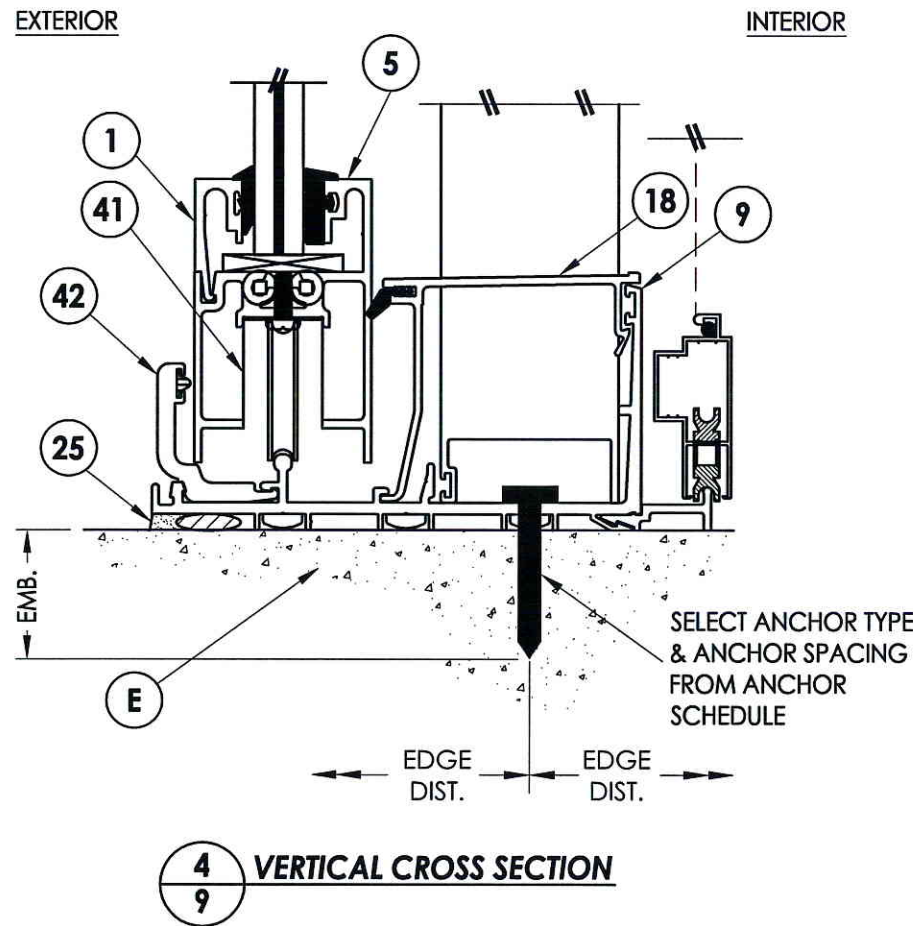
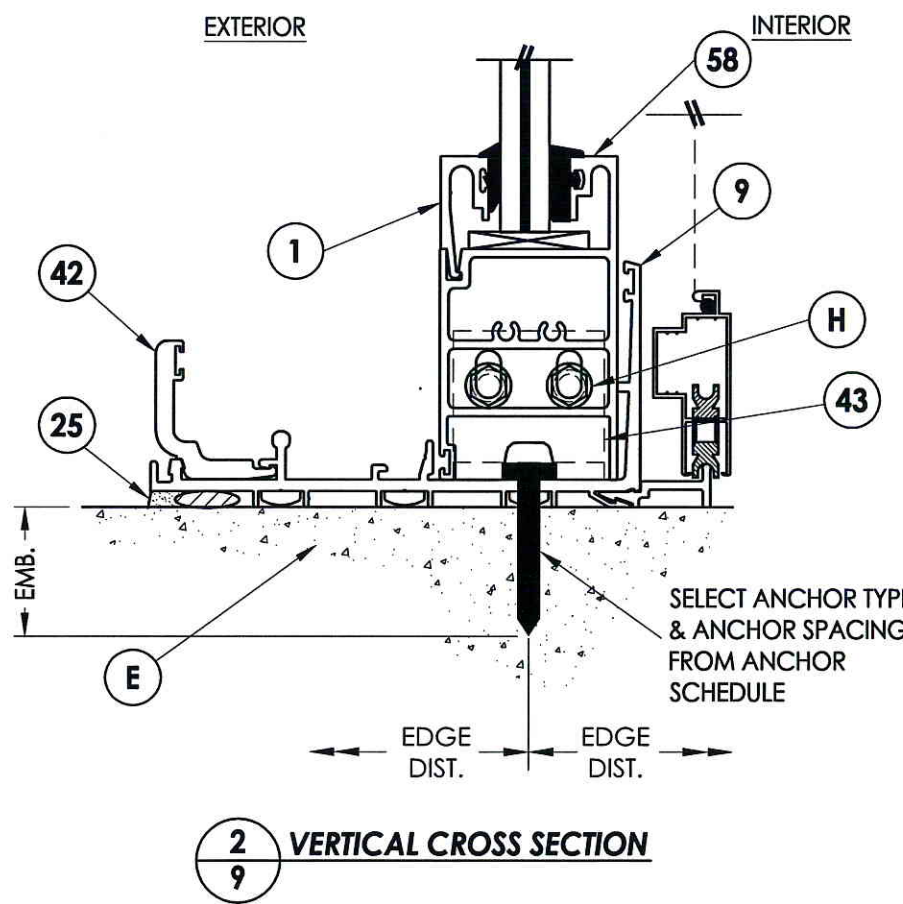
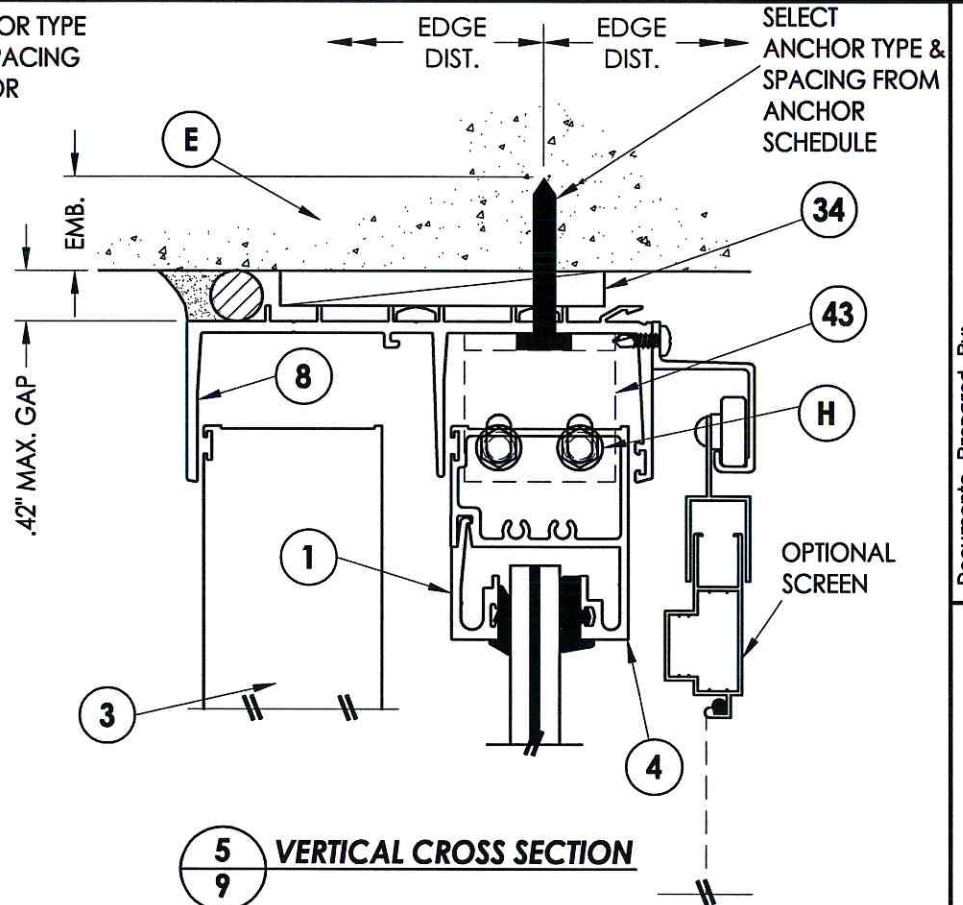
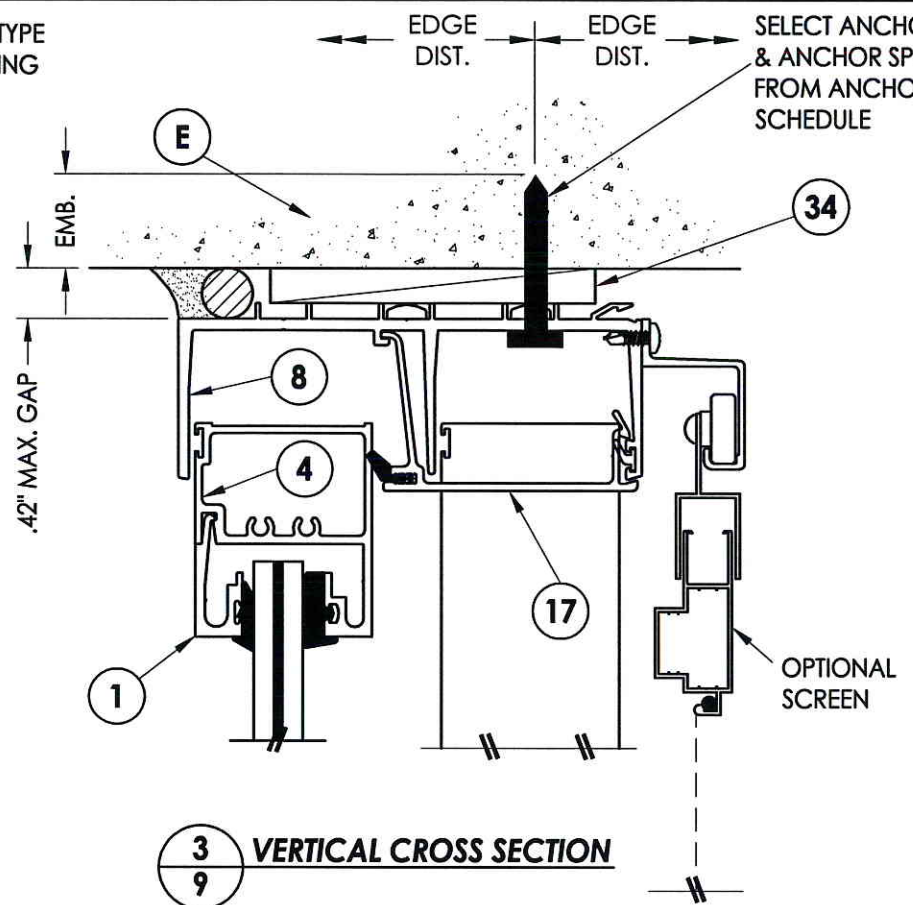
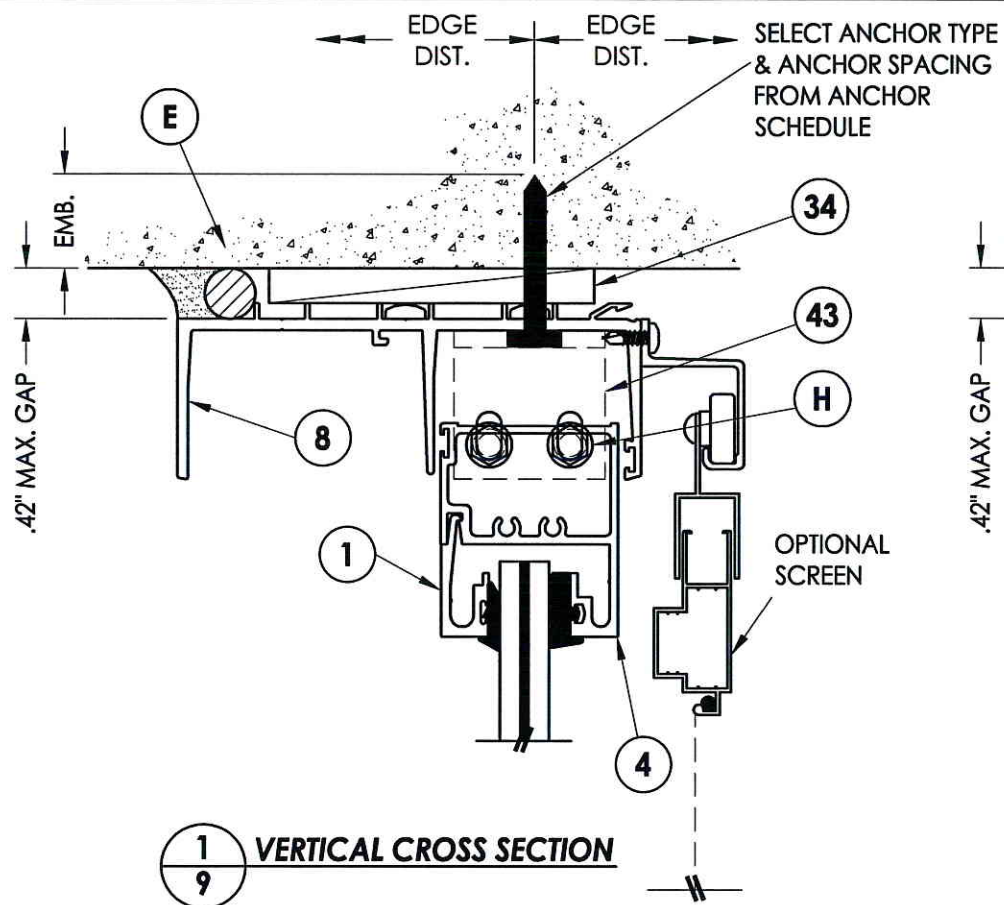
RW
BUILDING CONSULTANTS, INC.
P.O. Box 230 Valrico FL 33595
Phone No.: 813.659.9197
Florida Board of Professional Engineers
Certificate of Authorization No. 9813
LFS 10/16/12
Lyndon F. Schmidt, P.E. No. 43409

PRODUCT: SLIDING GLASS DOOR
PART OR ASSEMBLY: HORIZONTAL CROSS SECTIONS

NO.	DATE	BY	REVISIONS

DATE: 8/24/12
SCALE: N.T.S.
DWG. BY: JK
CHK. BY: LFS
DRAWING NO.: FL-15903.1
SHEET 8 OF 13

P:\A - Projects\Project - Folders\Proj. 1601 - 1700\PE 1692\D_RWBC Drawings\EL-15903.1-2.dwg, 1-9



Documents Prepared By: **RW** BUILDING CONSULTANTS, INC.
P.O. Box 230 Valrico FL 33595
Phone No.: 813.659.9197

Florida Board of Professional Engineers
Certificate Of Authorization No. 9813
Lyndon F. Schmidt, P.E.
Lyndon F. Schmidt, P.E. No. 43409

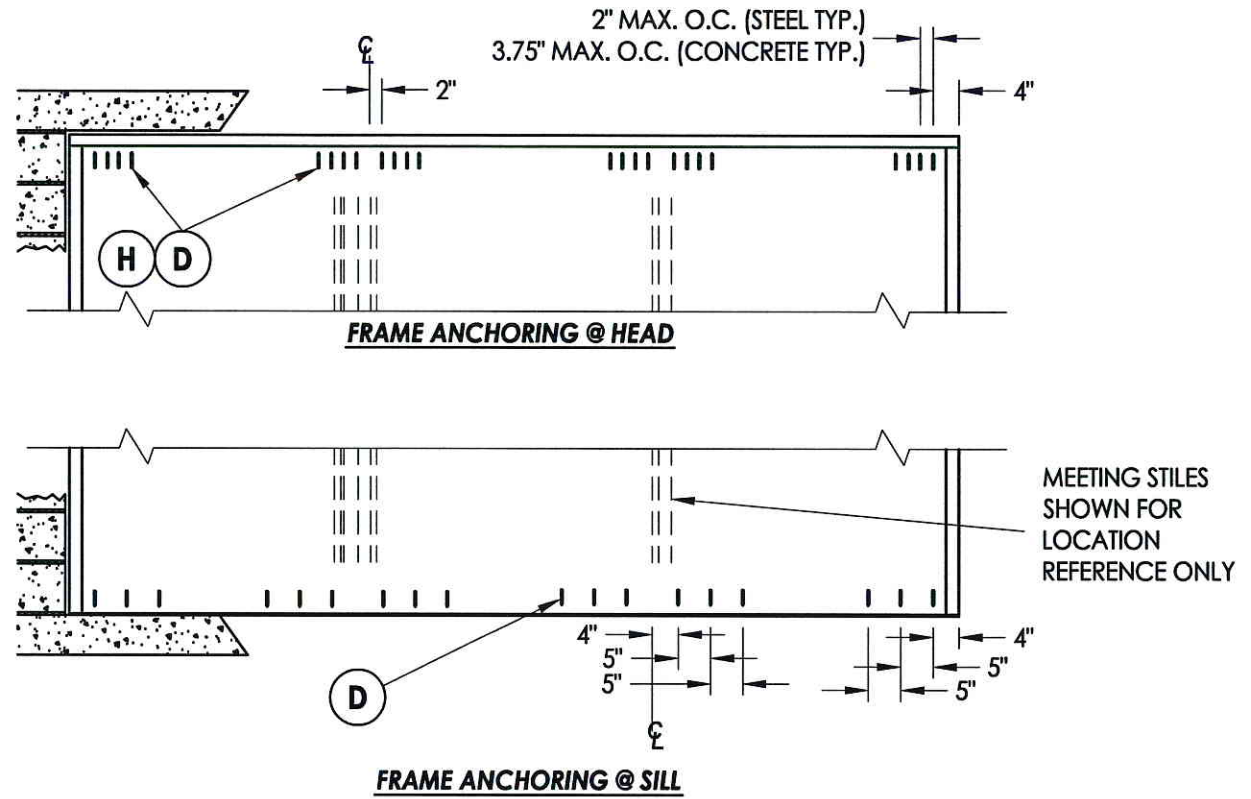
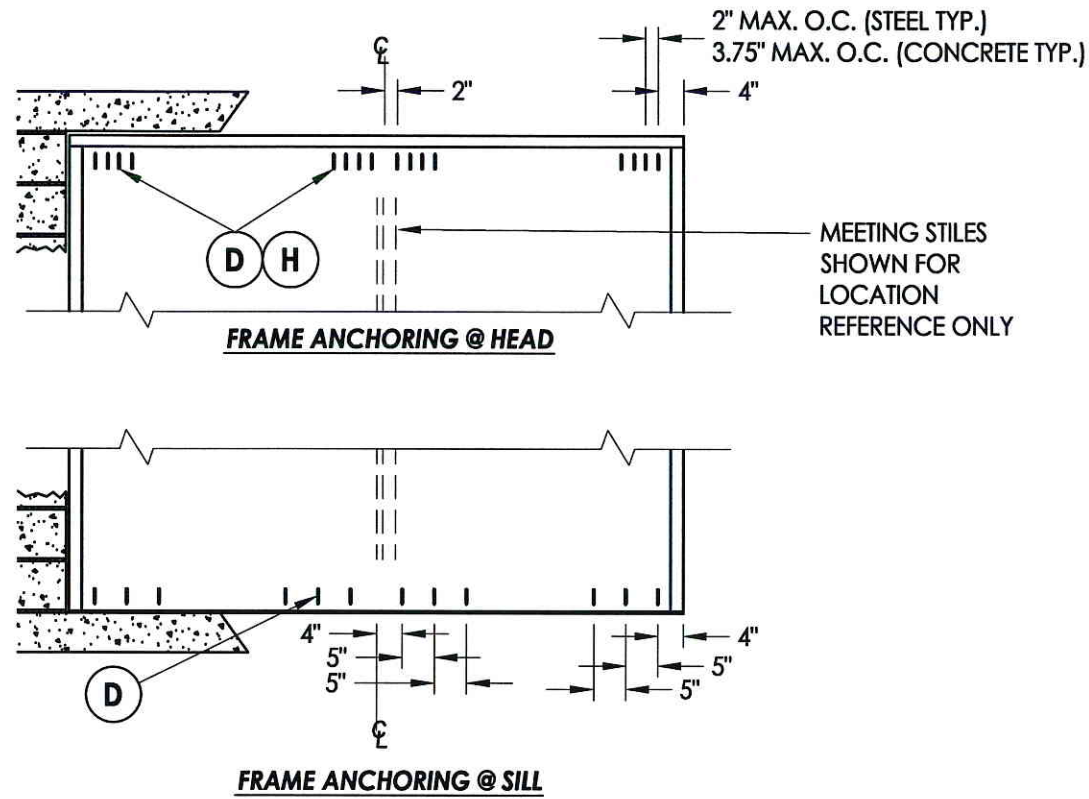
PRODUCT: SLIDING GLASS DOOR
PART OR ASSEMBLY: VERTICAL CROSS SECTIONS

NO.	DATE	BY

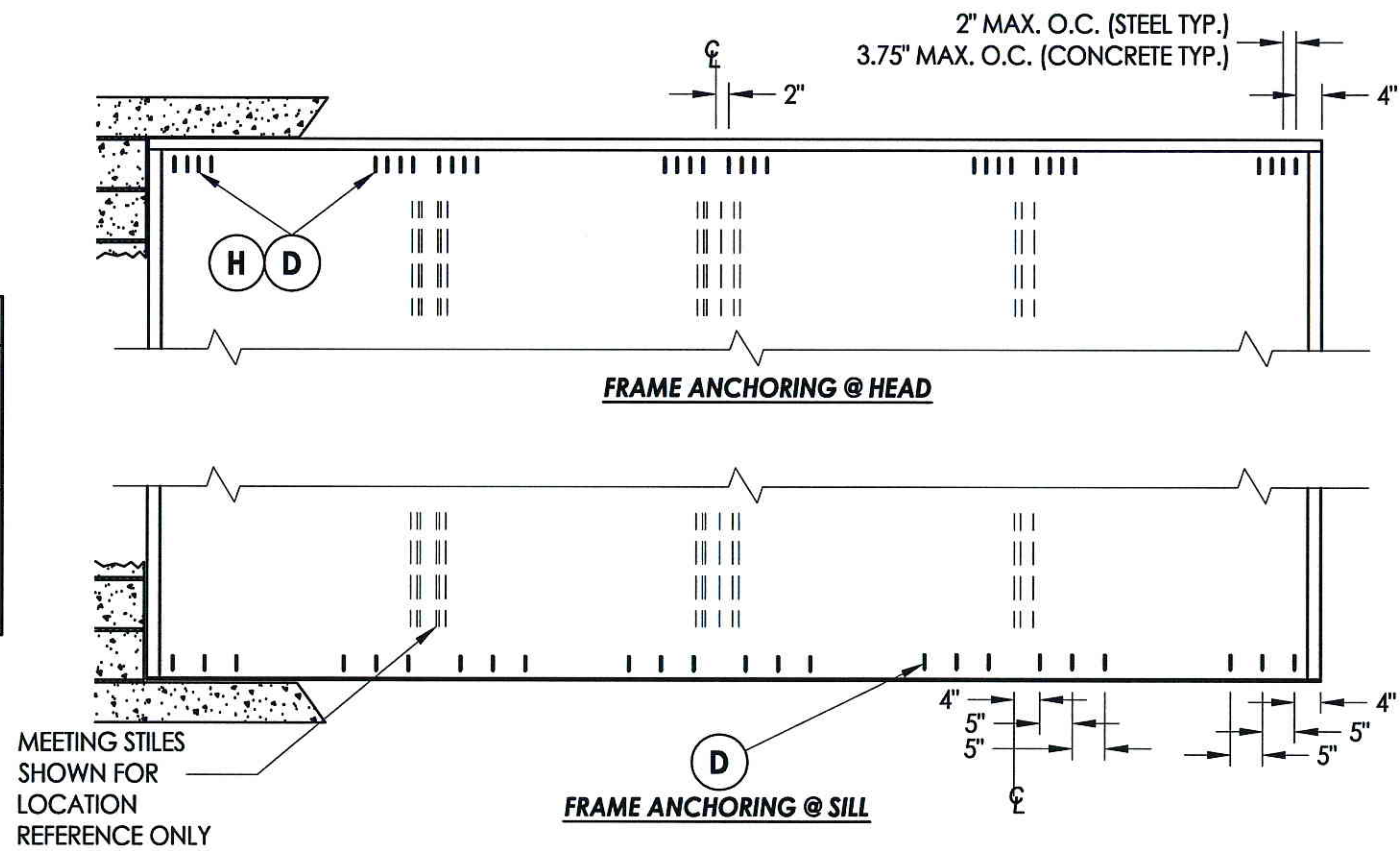
REVISIONS

DATE: 8/24/12
SCALE: N.T.S.
DWG. BY: JK
CHK. BY: LFS
DRAWING NO.: FL-15903.1
SHEET 9 OF 13

R:\A - Projects\Project - Folders\Proj.1601 - 1700\PE.1692\DWG. RWBC Drawings\FL-15903.1-2.dwg. 1-10



MAX. DP ≤ 75 PSF



SUBSTRATE	ANCHOR SCHEDULE	
CONCRETE	(D)	5/16" x 2-3/4" ITW (XL) HWH concrete screw with 1.75" Min. embedment, 2-3/16" minimum edge distance and 3.75" minimum clearance to adjacent concrete anchors. Concrete is 2,899 PSI minimum conforming to ACI 301.
STEEL	(H)	1/4"-20 HWH Hilti KWIK PRO self-drilling screws. Steel with 0.125" minimum wall thickness conforming to ASTM A500 Grade B, Fy = 46,000 PSI & Fu = 58,000 PSI or ASTM A653, Fy = 33,000 PSI, Fu = 45,000 PSI. Minimum embedment of 3 threads through steel substrate.

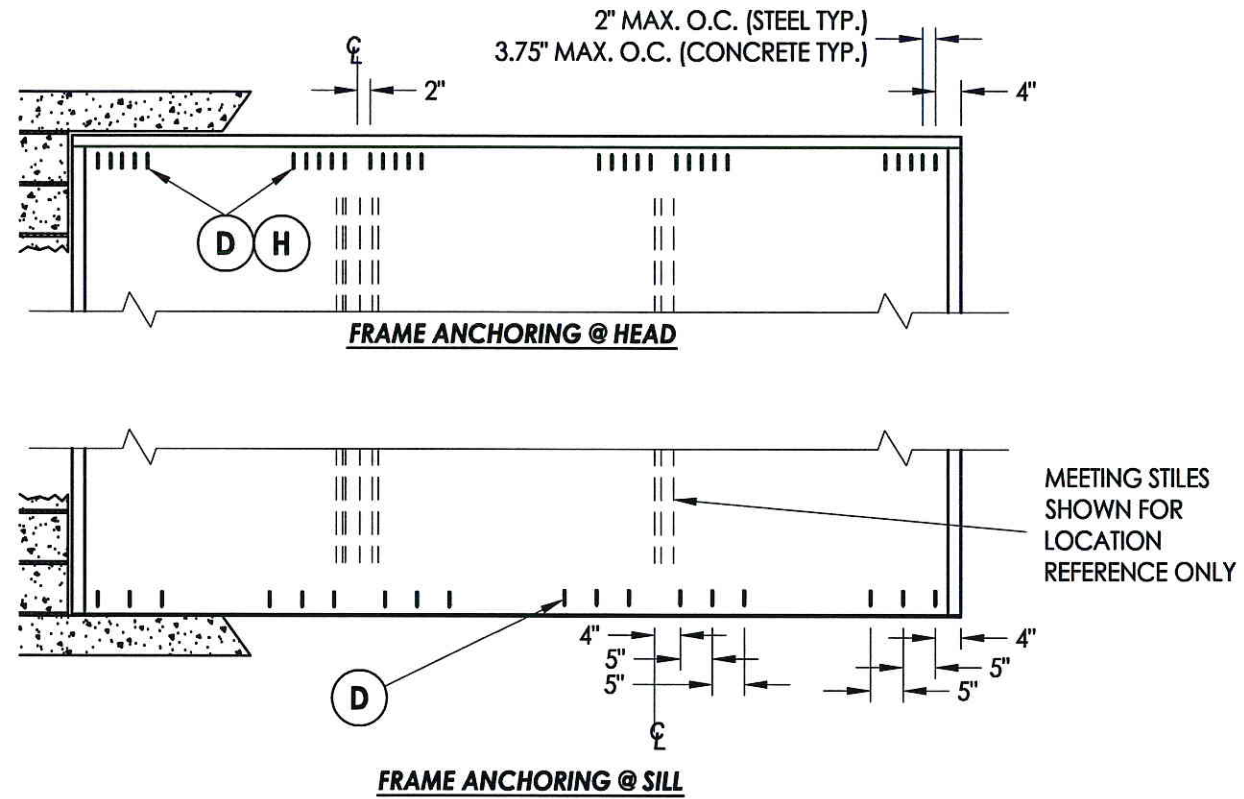
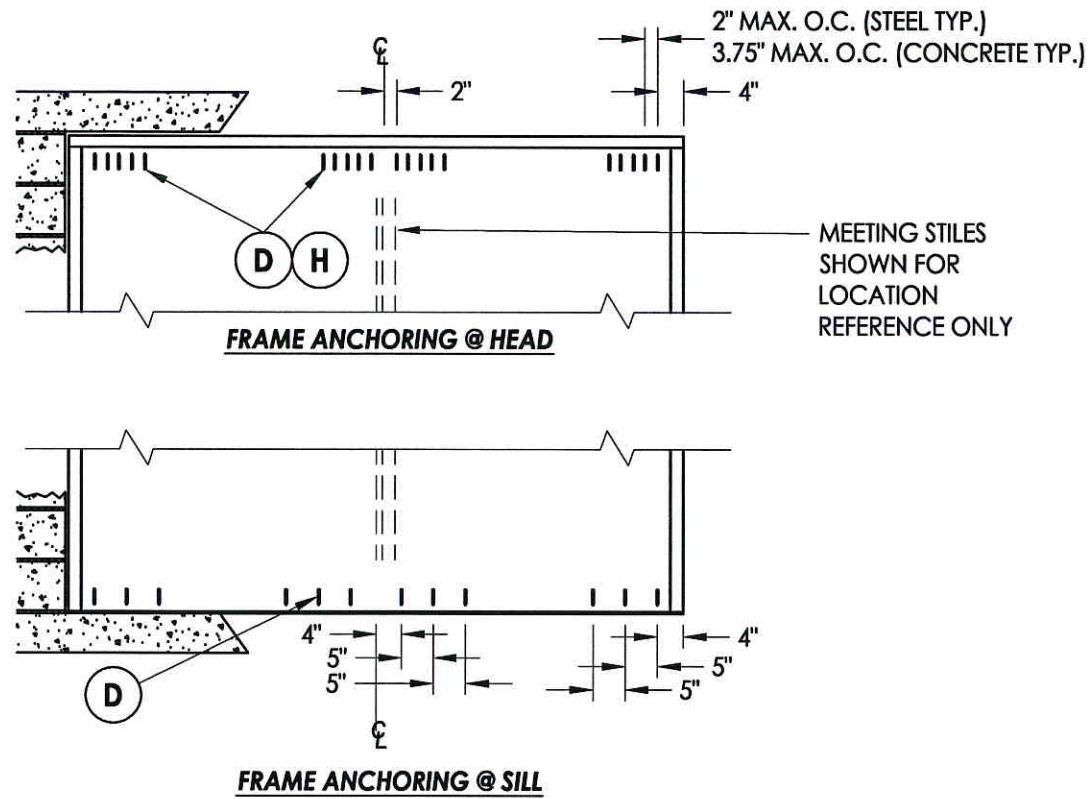
Documents Prepared By:
RW BUILDING CONSULTANTS, INC.
 P.O. Box 230 Valrico FL 33595
 Phone No.: 813.659.9197
 Florida Board of Professional Engineers
 Certificate Of Authorization No. 9813
LFS 10-16-12
 Lyndon F. Schmidt, P.E. No. 43409

PRODUCT: SLIDING GLASS DOOR
 PART OR ASSEMBLY: ANCHORING (MAX. DP ≤ 75 PSF)

NO.	DATE	BY	REVISIONS

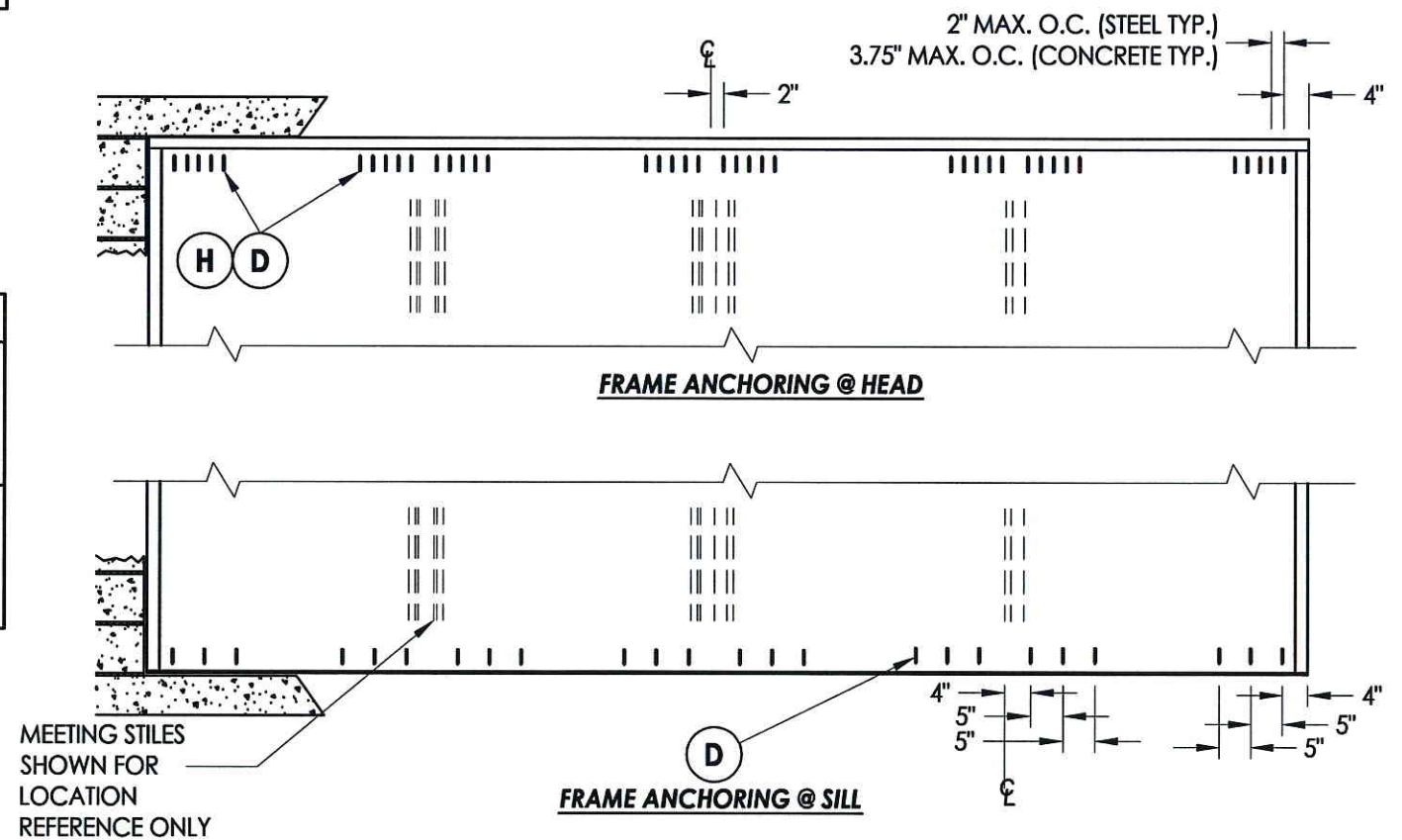
DATE: 8/24/12
 SCALE: N.T.S.
 DWG. BY: JK
 CHK. BY: LFS
 DRAWING NO.: FL-15903.1
 SHEET 10 OF 13

R:\A - Projects\Project Folders\Proj.1601 - 1700\PE.1692\D. RWBC Drawings\EL-15903.1-2.dwg, 1-11



MAX. DP ≤ 135 PSF

SUBSTRATE		ANCHOR SCHEDULE
CONCRETE	(D)	5/16" x 2-3/4" ITW (XL) HWH concrete screw with 1.75" Min. embedment, 2-3/16" minimum edge distance and 3.75" minimum clearance to adjacent concrete anchors. Concrete is 2,899 PSI minimum conforming to ACI 301.
STEEL	(H)	1/4"-20 HWH Hilti KWIK PRO self-drilling screws. Steel with 0.125" minimum wall thickness conforming to ASTM A500 Grade B, Fy = 46,000 PSI & Fu = 58,000 PSI or ASTM A653, Fy = 33,000 PSI, Fu = 45,000 PSI. Minimum embedment of 3 threads through steel substrate.



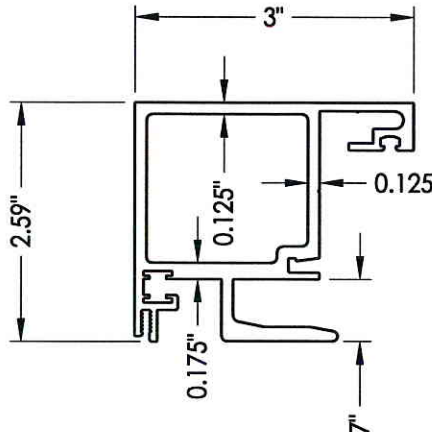
Documents Prepared By:
RW BUILDING CONSULTANTS, INC.
 P.O. Box 230 Valrico FL 33595
 Phone No.: 813.659.9197
 Florida Board of Professional Engineers
 Certificate of Authorization No. 9813
LF 10/16/12
 Lyndon F. Schmidt, P.E. No. 43409

PRODUCT: SLIDING GLASS DOOR
 PART OR ASSEMBLY: ANCHORING
 (MAX. DP ≤ 135 PSF)

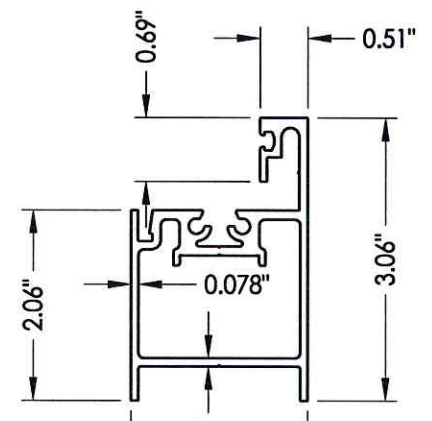
NO.	DATE	BY

DATE: 8/24/12
 SCALE: N.T.S.
 DWG. BY: JK
 CHK. BY: LFS
 DRAWING NO.: FL-15903.1
 SHEET 11 OF 13

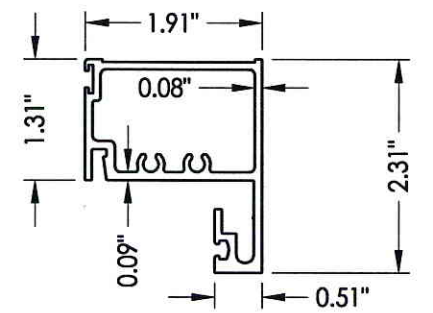
R:\A - Projects\Project Folders\Proj_1601 - 1700\PE-1692\1D_RIMBC Drawings\EL-15903.1-2.dwg, 1-12



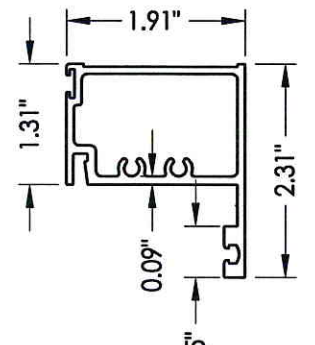
6 INTERLOCK STILE - FIXED PANEL
7/16" or 9/16" glass



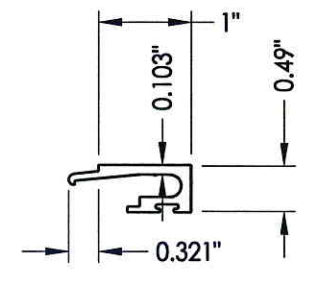
5 BOTTOM RAIL - MOVING PANEL
7/16" or 9/16" glass



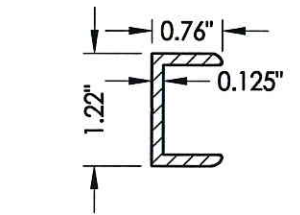
4 TOP RAIL
7/16" or 9/16" glass



54 I.G. TOP RAIL
1-5/16" Glass



1 GLAZING BEAD
7/16" or 9/16" glass



7 FIXED PANEL RETAINING CLIP



28 PRE-SET GASKET



29 PRE-SET GASKET



30 WEDGE



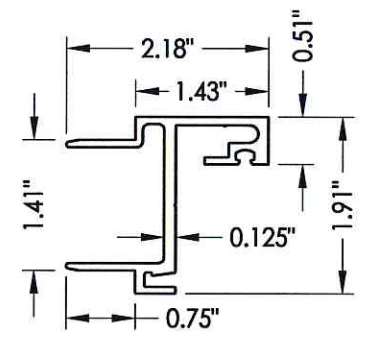
59 FOAM CAULK STOP



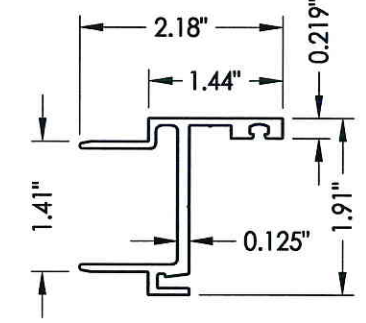
61 WEDGE



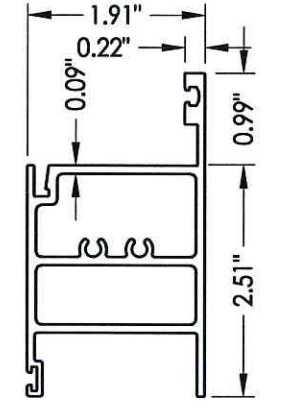
62 WEDGE



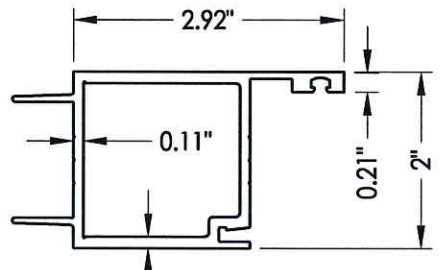
14 FIXED PANEL STILE
7/16" or 9/16" glass



52 I.G. FIXED PANEL STILE
1-5/16" Glass



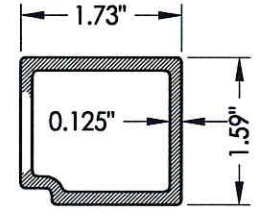
49 I.G. BOTTOM RAIL - FIXED PANEL
1-5/16" GLASS



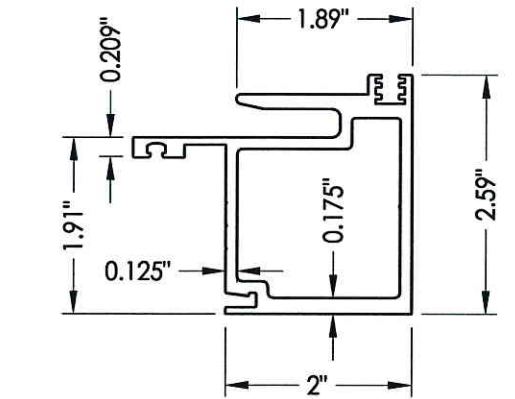
55 I.G. LEAD STILE
1-5/16" Glass



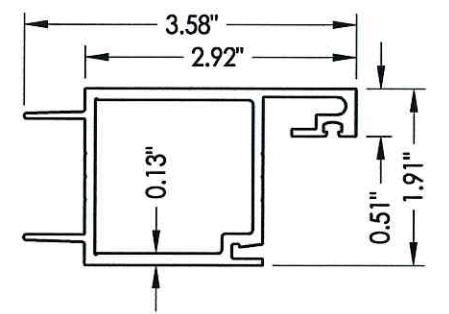
51 I.G. GLAZING BEAD
1-5/16" Glass



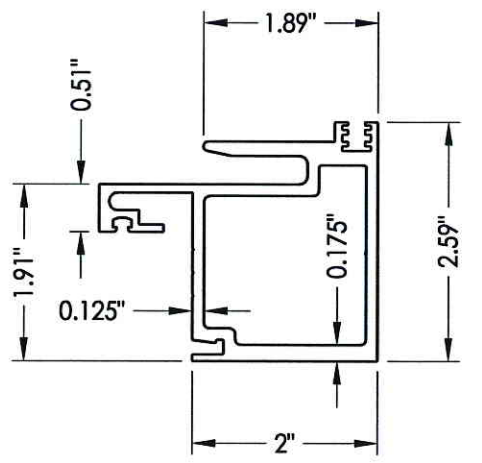
12 REINFORCEMENT



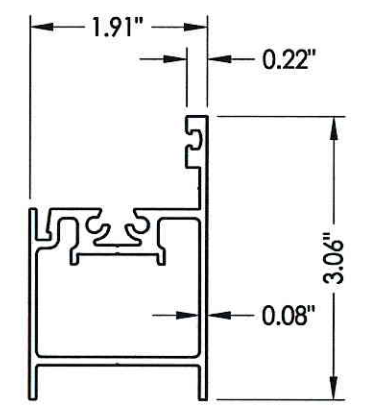
53 I.G. INTERLOCK STILE - MOVING PANEL
1-5/16" Glass



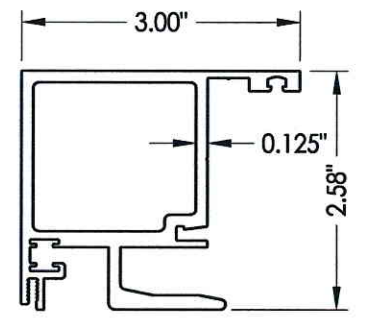
2 LEAD STILE
7/16" or 9/16" glass



3 INTERLOCK STILE - MOVING PANEL
7/16" or 9/16" glass



56 I.G. BOTTOM RAIL - MOVING PANEL
1-5/16" Glass



57 INTERLOCK STILE - FIXED PANEL
1-5/16" Glass

Documents Prepared By:

RW BUILDING CONSULTANTS, INC.
P.O. Box 230 Valrico FL 33595
Phone No.: 813.659.9197
Florida Board of Professional Engineers
Certificate Of Authorization No. 9813
LR 10/16/12
Lyndon F. Schmidt, P.E. No. 43409

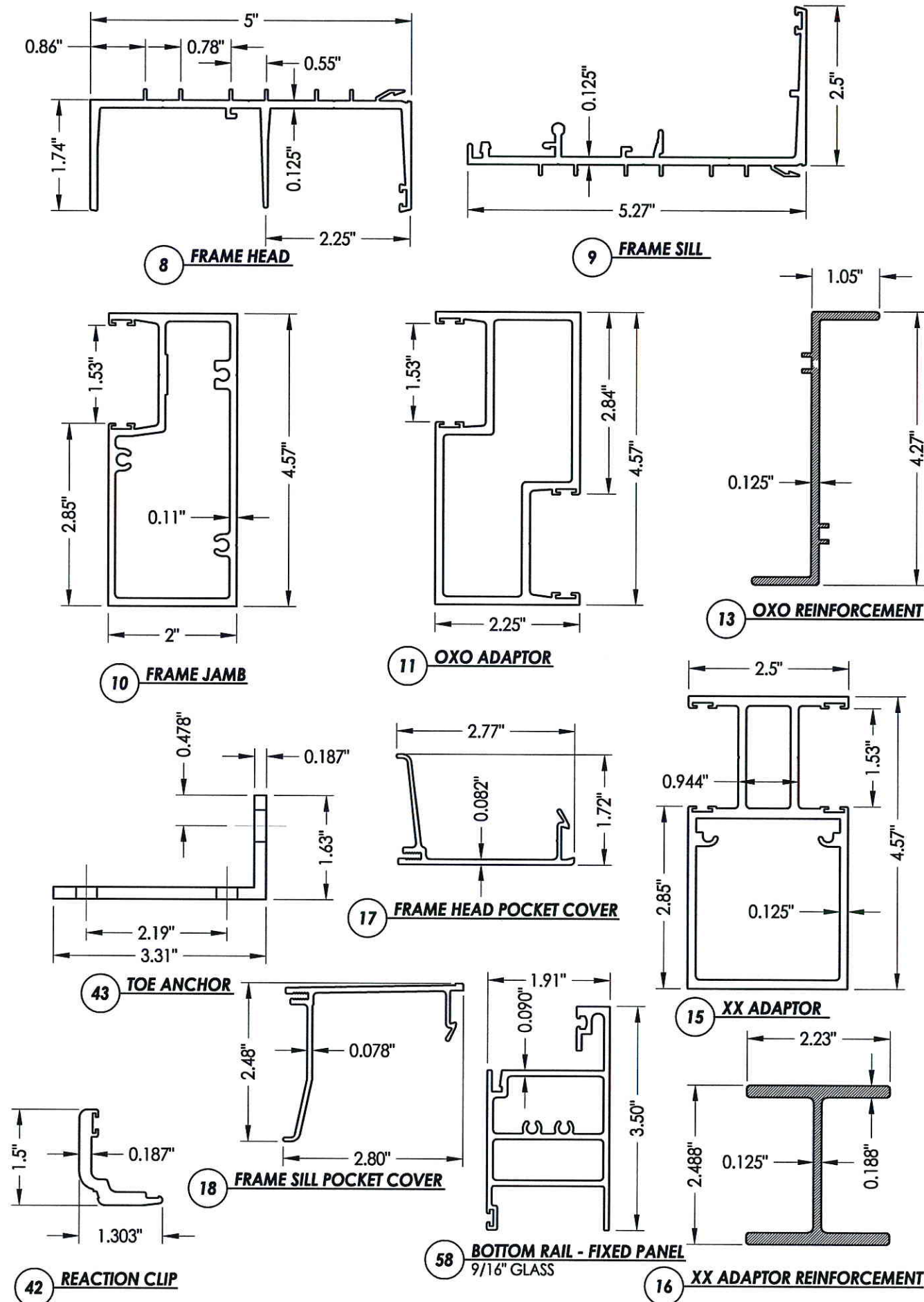
PRODUCT:	SLIDING GLASS DOOR
PART OR ASSEMBLY:	COMPONENTS

NO.	DATE	BY	REVISIONS

DATE:	8/24/12
SCALE:	N.T.S.
DWG. BY:	JK
CHK. BY:	LFS
DRAWING NO.:	FL-15903.1
SHEET	12 OF 13

R:\A - Projects\Project - Eolders\Proj.1601 - 1700\PE 15903.D - RWBC Drawings\EL-15903 1-2.dwg, 1-13

BILL OF MATERIALS		
ITEM	DESCRIPTION	MATERIAL
D	5/16" X 2-3/4" ITW HWH CONCRETE SCREW	STEEL
E	MASONRY - 2,899 PSI MIN. CONCRETE CONFORMING TO ACI 301	CONCRETE
F	3/16" X 2-3/4" HWH ITW CONCRETE SCREW	STEEL
G	#10 X 1-1/2" SQ-PH ASSEMBLY SCREW	STL. STEEL
H	1/4"-20 HWH HILTI KWIK PRO SELF-DRILLING SCREW (WITH KWIK-COTE COATING)	STL. STEEL
K	#10 X 3/4" HH-SELF TAP SCREW	STL. STEEL
1	GLAZING BEAD 6063-T6 (7/16" OR 9/16")	ALUM
2	LEAD STYLE 6063-T6 (7/16" OR 9/16")	ALUM
3	INTERLOCK STILE - MOVING PANEL 6005-T5 (7/16" OR 9/16")	ALUM
4	TOP RAIL 6063-T6 (7/16" OR 9/16")	ALUM
5	BOTTOM RAIL - MOVING PANEL 6063-T6 (7/16" OR 9/16")	ALUM
6	INTERLOCK STILE - FIXED PANEL 6005-T6 (7/16" OR 9/16")	ALUM
7	FIXED PANEL RETAINING CLIP 6063-T6	ALUM
8	FRAME HEAD 6063-T6	ALUM
9	FRAME SILL 6063-T6	ALUM
10	FRAME JAMB 6063-T6	ALUM
11	OXO ADAPTOR 6005-T5	ALUM
12	REINFORCEMENT 6005-T5	ALUM
13	OXO ADAPTOR REINFORCEMENT 6005-T5	ALUM
14	FIXED PANEL STILE 6063-T6 (7/16" OR 9/16")	ALUM
15	XX ADAPTOR 6005-T5	ALUM
16	XX ADAPTOR REINFORCEMENT 6005-T5	ALUM
17	FRAME HEAD POCKET COVER 6063-T6	ALUM
18	FRAME SILL POCKET COVER 6063-T6	ALUM
25	WEATHERSEAL SEALANT (WS001) DOW 795	SILICONE
27	GLAZING SPACER	ALUM
28	GASKET, EPDM CLOSED CELL FOAM (7/16" OR 9/16" GLAZING) (TREMCO)	EPDM
29	GASKET, EPDM CLOSED CELL FOAM (1-5/16" GLAZING) (TREMCO)	EPDM
30	WEDGE 70±5 EPDM (9/16" & 1-5/16" GLAZING) (TREMCO)	EPDM
31	BACKER ROD - CLOSED CELL EXTRUDED FOAM	POLYETHYLENE
34	1/4" MAX. SHIM SPACE	-
35	SETTING/EDGE BLOCK	-
41	ROLLER ASSM.	STEEL
42	REACTION CLIP 6005-T5	ALUM
43	TOE ANCHOR 6005-T5	ALUM
49	BOTTOM RAIL - FIXED PANEL 6063-T6 (1-5/16")	ALUM
51	I.G. GLAZING BEAD 6063-T6 (1-5/16")	ALUM
52	I.G. FIXED PANEL STILE 6063-T6 (1-5/16")	ALUM
53	I.G. INTERLOCK STILE - MOVING PANEL 6063-T6 (1-5/16")	ALUM
54	I.G. TOP RAIL 6063-T6 (1-5/16")	ALUM
55	I.G. LEAD STYLE 6063-T6 (1-5/16")	ALUM
56	I.G. BOTTOM RAIL - MOVING PANEL 6063-T6 (1-5/16")	ALUM
57	INTERLOCK STILE - FIXED PANEL (1-5/16")	ALUM
58	BOTTOM RAIL - FIXED PANEL 6063-T6 (7/16" OR 9/16")	ALUM
59	CAULK STOP, EPDM CLOSED CELL FOAM (7/16" OR 9/16" GLAZING)	EPDM
60	STRUCTURAL SILICONE DOW 995	SILICONE
61	WEDGE, 70±5 EPDM (9/16" & 1-5/16" GLAZING) (TREMCO)	EPDM
62	WEDGE, 70±5 EPDM (7/16" GLAZING) (TREMCO)	EPDM



DATE:	8/24/12
SCALE:	N.T.S.
DWG. BY:	JK
CHK. BY:	LFS
DRAWING NO.:	FL-15903.1
SHEET	13 OF 13

PRODUCT:	SLIDING GLASS DOOR	
PART OR ASSEMBLY:	BILL OF MATERIALS & COMPONENTS	
NO.	DATE	BY
REVISIONS		

Documents Prepared By:
RW BUILDING CONSULTANTS, INC.
 P.O. Box 230 Vairico FL 33595
 Phone No.: 813.659.9197
 Florida Board of Professional Engineers
 Certificate of Authorization No. 9813
 Lyndon F. Schmidt, P.E. No. 43409